

# LRV 51 M 10000 P3K-TSSL

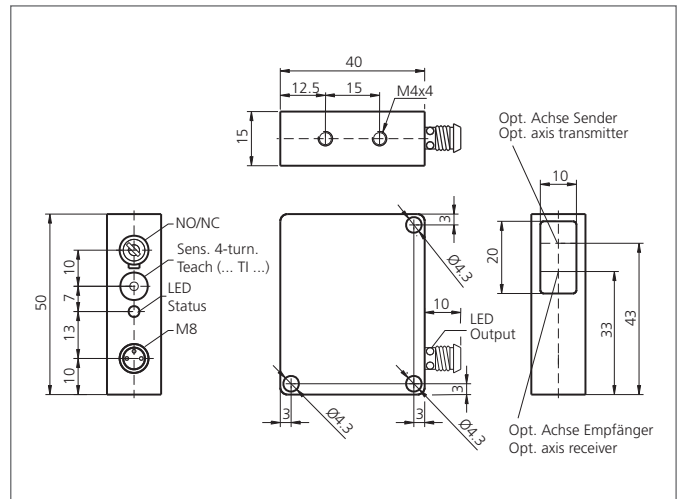
## Laser Retroreflective Sensor

- Collimated red light laser
- Small laser spot and small reflector
- 4-turn potentiometer
- Polarized filter
- High operating frequency
- Bright ring LED
- Light/dark switching
- Functional reserve indicator/contamination indicator
- Robust metal casing



### Safety instructions

Inproper use may result in hazardous radiation exposure. Pay attention to accident prevention rules and laser class. The instruments are not to be used for safety applications, in particular applications in which safety of persons depends on proper operation of the instruments. These instruments shall exclusively be used by qualified personnel.



TECHNICAL INFORMATION (typ.)		+20°C, 24V DC
Operating principle		Retroreflective sensor
Evaluation		digital
Size		50 x 40 x 15 mm (Dimensions)
Design		cuboid design
Emitted light		Red light laser, 650 nm, clocked
Laser class		1 (IEC 60825-1)
Operating distance		10000 mm
Service voltage		10 ... 35 V DC
No-load current		< 40 mA
Resolution		Ø 2,5 mm
Sensitivity adjustment		potentiometer
Referring reflector		RL 42x35 mm, (included)
Switching output		pnp, 200 mA, NO/NC, switchable
Switching hysteresis		200 µm
Shock-/vibration load		10 ... 55 Hz / 1,0 mm / 30 g
Voltage drop		< 2,8 V
Switching frequency		2000 Hz
Response-/release time		2,5 ms / 2,5 ms
Reproducibility		0,1 mm
Ambient temperature, operation		0 ... +50 °C
Ambient light immunity		5 kLx
Insulation voltage endurance		500 V
Protection class		IP 67

# LRV 51 M 10000 P3K-TSSL

## Laser Retroreflective Sensor



<b>TECHNICAL INFORMATION (typ.)</b>	<b>+20°C, 24V DC</b>
Protection degree	III, operation on protective low voltage
Casing material	Die-cast zinc black lacquered finish
Material	polymethyl methacrylate (Window)
Connection	Connector, M8, 3-poled
Connecting cable	TK ...