

LRV 51 M 1000 P3K-TSSL

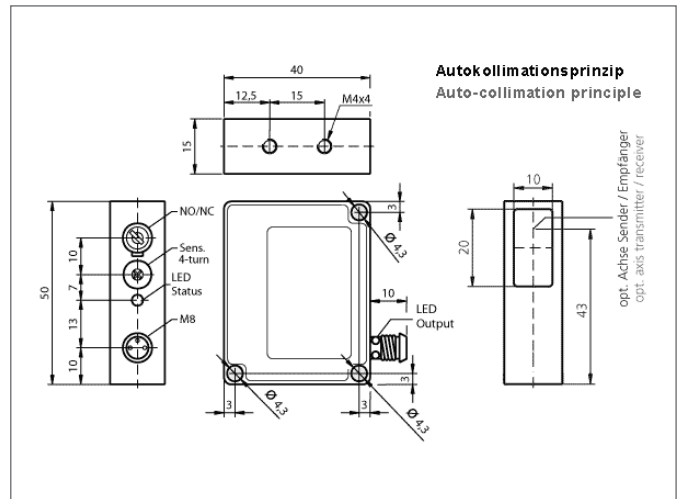
Laser Retroreflective Sensor

- Collimated red light laser
- Small laser spot and small reflector
- 4-turn potentiometer
- Polarized filter
- High operating frequency
- Bright ring LED
- Light/dark switching
- Functional reserve indicator/contamination indicator
- Robust metal casing



Safety instructions

Inproper use may result in hazardous radiation exposure. Pay attention to accident prevention rules and laser class. The instruments are not to be used for safety applications, in particular applications in which safety of persons depends on proper operation of the instruments. These instruments shall exclusively be used by qualified personnel.



| TECHNICAL INFORMATION (typ.) | +20°C, 24V DC |
|--------------------------------|----------------------------------|
| Operating principle | Retroreflective sensor |
| Evaluation | digital |
| Size | 50 x 40 x 15 mm (Dimensions) |
| Design | cuboid design |
| Emitted light | Red light laser, 650 nm, clocked |
| Laser class | 1 (IEC 60825-1) |
| Operating distance | 1000 mm |
| Service voltage | 10 ... 35 V DC |
| No-load current | < 40 mA |
| Resolution | Ø 0,2 mm |
| Sensitivity adjustment | potentiometer |
| Referring reflector | RL 13 x 17 mm |
| Switching output | pnp, 200 mA, NO/NC, switchable |
| Switching hysteresis | 200 µm |
| Shock-/vibration load | 10 ... 55 Hz / 1,0 mm / 30 g |
| Voltage drop | < 2,8 V |
| Switching frequency | 2000 Hz |
| Response-/release time | 2,5 ms / 2,5 ms |
| Reproducibility | 0,1 mm |
| Ambient temperature, operation | 0 ... +50 °C |
| Ambient light immunity | 5 kLx |
| Insulation voltage endurance | 500 V |
| Protection class | IP 67 |

LRV 51 M 1000 P3K-TSSL

Laser Retroreflective Sensor



| TECHNICAL INFORMATION (typ.) | +20°C, 24V DC |
|-------------------------------------|--|
| Protection degree | III, operation on protective low voltage |
| Casing material | Die-cast zinc black lacquered finish |
| Material | polymethyl methacrylate (Window) |
| Connection | Connector, M8, 3-poled |
| Connecting cable | TK ... |