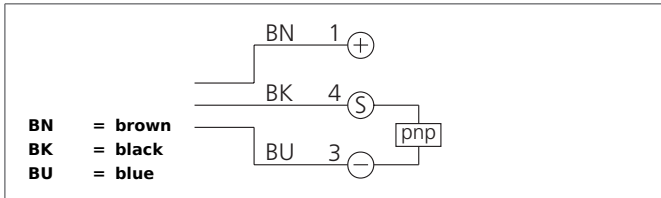
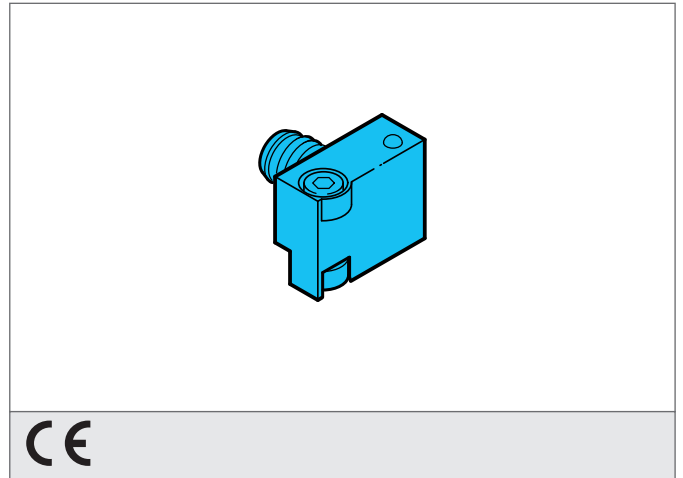


MZERTI 20 PSK-TSSL

Cylindre Sensor

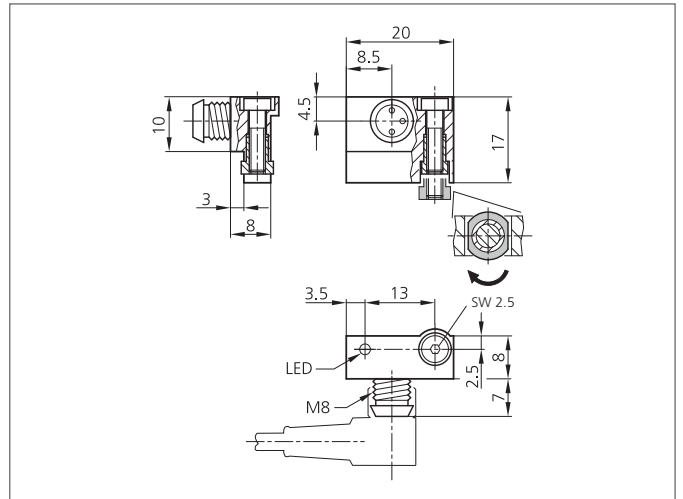
- For pneumatic cylinders with T-shaped slot to be inserted from above
- Compact metal casing with metal connector M8
- All-electronically
- High reproducibility
- High protection class



Safety instructions

The Instruments are not to be used for safety applications, in particular applications in which safety of persons depends on proper operation of the instruments.

These instruments shall exclusively be used by qualified personnel.



TECHNICAL INFORMATION (typ.)	+20°C, 24V DC
Cylinder groove	T-groove, to be inserted from above in the slot
Mounting	Locknut
Characteristics	allen screw SW 2.5 mm
Maximum rating	200 mA, short-circuit-proof
Service voltage	10 ... 30 V DC
No-load current	< 10 mA
Switching output	pnp, NO
Display	LED: yellow - output signal
Voltage drop	< 2,0 V
Switching frequency	1000 Hz
Reproducibility	0,1 mm
Ambient temperature, operation	-25 ... +70 °C
Insulation voltage endurance	500 V
Protection class	IP 67
Protection degree	III, operation on protective low voltage
Casing material	Die-cast zinc
Connection	Connector, M8
Connecting cable	TK ...