

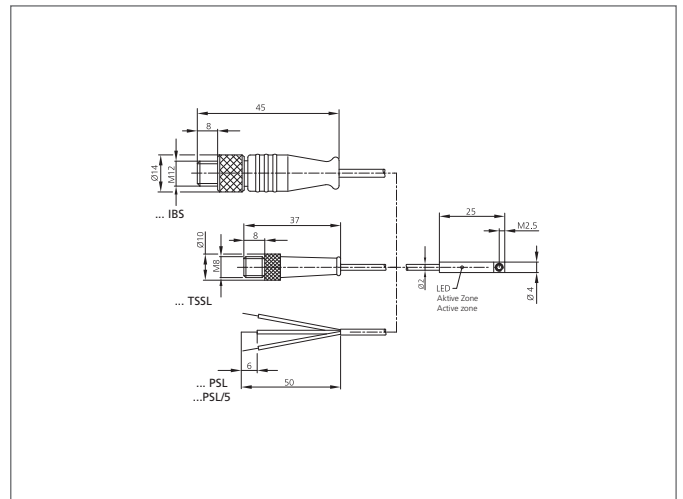
MZEC 4.0 PSL/5 Cylinder Sensor

- For pneumatic cylinders with round slot 4 mm
- Stainless steel casing
- All-electronically
- High reproducibility
- High protection class



Safety instructions

The Instruments are not to be used for safety applications, in particular applications in which safety of persons depends on proper operation of the instruments.
These instruments shall exclusively be used by qualified personnel.



TECHNICAL INFORMATION (typ.)		+20°C, 24V DC
Cylinder groove		C-groove 4,0 mm, mounting in longitudinal direction of slot
Mounting		Locking screw, allen screw 1,3 mm
Maximum rating		200 mA, not short-circuit-proof, polarity-safe
Service voltage		10 ... 30 V DC
No-load current		< 10 mA
Switching output		pnp, 200 mA, NO
Contact rating		3 W max. (30 V, 100 mA)
Display		LED: yellow - output signal
Voltage drop		< 2,0 V
Switching frequency		1000 Hz
Reproducibility		< 0,1 mm
Ambient temperature, operation		-20 ... +70 °C
Insulation voltage endurance		500 V
Protection class		IP 67
Protection degree		III, operation on protective low voltage
Casing material		V2A (1.4301 / AISI 304)
Material		TPU (Cable)
Connection		Cable, 5,0 m, 3 x 0,08 mm ²