

ORV 22 K 200 P2K

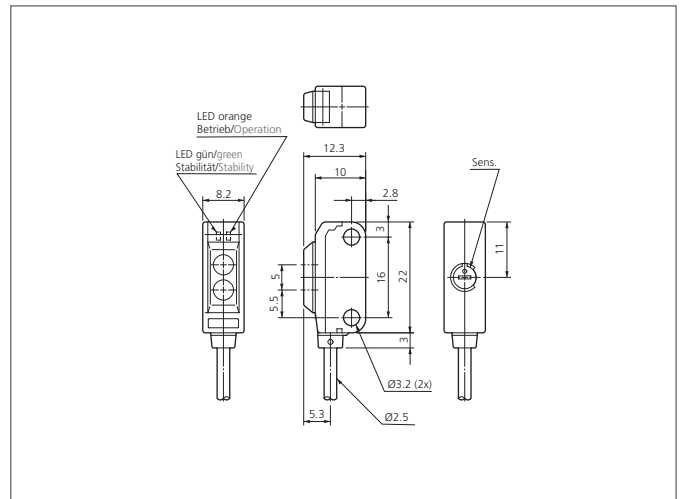
Retroreflective Sensor

- Compact design
- Red light
- Sensitivity adjustable
- High resolution, operating frequency



Safety instructions

The Instruments are not to be used for safety applications, in particular applications in which safety of persons depends on proper operation of the instruments.
 These instruments shall exclusively be used by qualified personnel.



TECHNICAL INFORMATION (typ.)		+20°C, 24V DC
Operating principle		Retroreflective sensor
Evaluation		digital
Size		22 x 10 x 8 mm (Dimensions)
Design		cuboid design
Emitted light		Red, 680 nm, clocked
Operating distance		30 ... 200 mm
Service voltage		12 ... 24 V DC
No-load current		< 20 mA
Sensitivity adjustment		potentiometer
Referring reflector		9,6 x 17,5 mm, (included)
Switching output		pnp, 50 mA, NO
Shock-/vibration load		10 ... 55 Hz / 1,0 mm / 30 g
Voltage drop		< 1,0 V
Switching frequency		1000 Hz
Response-/release time		0,50 ms / 0,50 ms
Ambient temperature, operation		-25 ... +55 °C
Ambient light immunity		3 kLx
Insulation voltage endurance		1.000 V
Protection class		IP 67
Protection degree		III, operation on protective low voltage
Casing material		plastics
Material		plastic (Window) PVC (Cable)

ORV 22 K 200 P2K
Retroreflective Sensor



TECHNICAL INFORMATION (typ.)

Connection

+20°C, 24V DC

Cable, 2,0 m