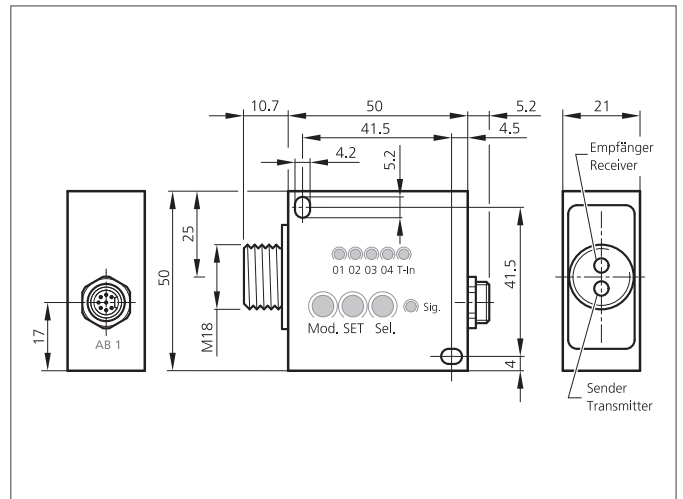
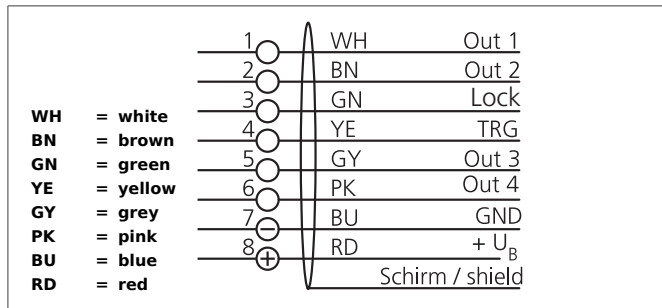


FSB 50 M G3-B8

Colour Sensor



- Extensive range of fibre optic cables
- 4 channel, teach-in for many standard applications
- Short response time
- Adjustable colour tolerance
- Distinction of smallest shades
- High ambient light compensation
- Integrated long-term stability
- Status indication via LEDs
- Key lock function



Safety instructions

The Instruments are not to be used for safety applications, in particular applications in which safety of persons depends on proper operation of the instruments.
 These instruments shall exclusively be used by qualified personnel.

TECHNICAL INFORMATION (typ.)	+20°C, 24V DC
Service voltage	18 ... 28 V DC
No-load current	500 mA
Control elements	3
Light spot size	Dependent on focus optic
Emitting light source	white light LED
Operating distance	Dependent on fiber-optic cable
Fiber-optic connection	M18 x 1
Colour memory internal	4
Number of sensing channels	1
Colour channels of sensor	4 (Teachable via buttons)
Colour resolution	DE Lab < 1
Trigger input	TRG, 24 V DC
Keylock	Lock (+24 V DC)
Switching output	pnp+npn (4x), < 100 mA
Switching hysteresis	10 %
Shock-/vibration load	10 ... 55 Hz / 1,0 mm / 30 g
Pulse stretching	0 ms or 10 ms, 0 ms or 50 ms (from Serial no. 851238)
Display	4 LEDs (Output state) 5 LEDs (programming)
Voltage drop	< 2,0 V
Response time/Scanning frequency	10 ms / 100 Hz or 1 ms / 1000 Hz, parametrizable
Ambient temperature, operation	-10 ... +55 °C
Tolerance ranges	5 by buttons arbitrarily

FSB 50 M G3-B8 Colour Sensor



TECHNICAL INFORMATION (typ.)	+20°C, 24V DC
Ambient light compensation	dynamic
Protection class	IP 54
Colour space mode	L*a*b* (Non-self-shining objects)
Detection modes	Minimum spacing (Assignment of measured colour to the stored colour with the smallest colour spacing) Check sphere (Check whether the measured colour is within a defined tolerance)
Operating mode	- (Continuous) - (External triggering)
Casing material	Aluminium anodized