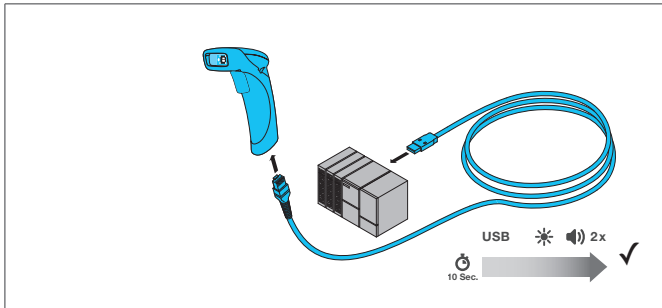


ID-80-IM3-2-U

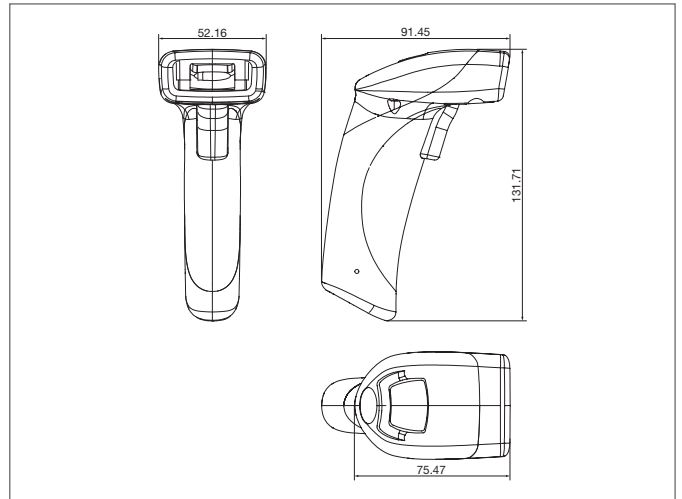
ID-Handheld

- High speed, omnidirectional reading of 1D, 2D and postal codes
- Manual or automatic triggering
- Low weight for fatigue-free working
- Ergonomic design
- Read-feedback by means of LED and audible sound
- 5-year warranty



Safety instructions

The Instruments are not to be used for safety applications, in particular applications in which safety of persons depends on proper operation of the instruments.
These instruments shall exclusively be used by qualified personnel.



TECHNICAL INFORMATION (typ.)	+20°C, 5V DC
Size	132 x 52 x 91 mm (Dimensions)
Service voltage	5 V DC
No-load current	< 300 mA
Resolution	1280 x 960 pixel
Interface	USB-A (operated with ID-K-RJ50/U-2)
Ambient temperature, operation	-20 ... +55 °C
Protection class	IP 54
Connection	RS 232, spiral cable, 2,4 m, (included in delivery), including power supply
Symbologies - 1D-Codes	Code 11, Code 32, Code 39, Code 93, Code 128, Interleaved 2 of 5, GSI DataBar, BC 412, Codabar, IATA 2 of 5, Hong Kong 2 of 5, Matrix 2 of 5, MSI Plessey, NEC 2 of 5, Plessey, Straight 2 of 5, Telepen, Trioptic, UPC / EAN / JAN
Symbologies - 2D-Codes	Data Matrix, Data Matrix Rectangular Extension, QR Code, Micro QR Code, QR Model 1, Aztec Code, GoCode® (protected - additional license required)
Symbologies - Stacked codes	PDF 417, Micro PDF, GS1 Composite (CC-A/CC-B/CC-C)
Weight	110 g
Position scanner to code	Tilt 180°, Pitch ± 65°, Skew ± 60°
Image sensor	CMOS