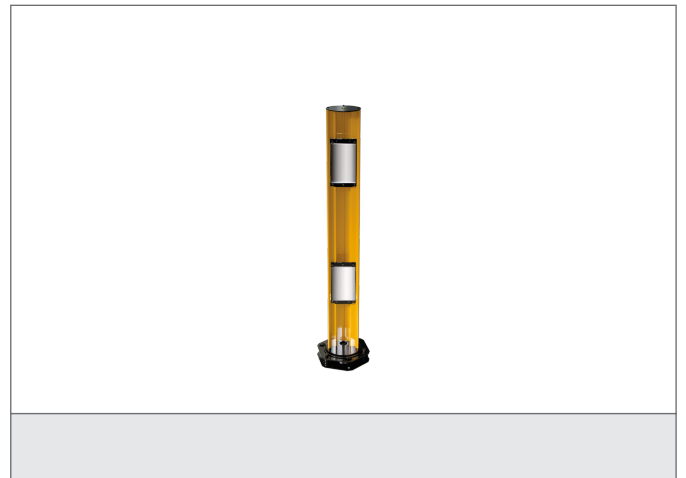


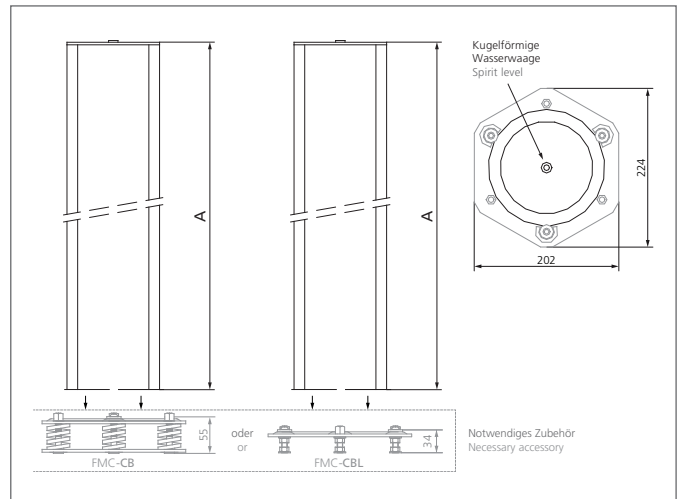
## FMC-SGB2 Column

- Easy assembling and disassembling of the light curtain
- Easy height adjustment of the first beam
- Robust column made by aluminium extrusion poles
- With adjustable angular orientation
- Built-in spirit level for a correct positioning of the vertical axis



### Safety instructions

All the installation, connection and safety regulations, as per our technical information, have to be strictly adhered to.  
The set-up of the products have to be made by skilled staff, only.  
Repair exclusively made by di-soric.



### TECHNICAL INFORMATION (typ.)

Total height (A)	1000 mm
Operating principle	Mounting column for Safety light frid SLM 4
Number	2 (deflection mirrors)
Characteristics	built-in spirit level
Ambient temperature, operation	-10 ... +50 °C (mirrors)
Suitable for	all light curtains with a protected height up to 1210 mm
Casing material	aluminium extrusion poles, epoxy powder coated, plastics
Version	pre-assembled
Scope of delivery	assembly instruction, Fixing material
Optical power reduction factor	15 %