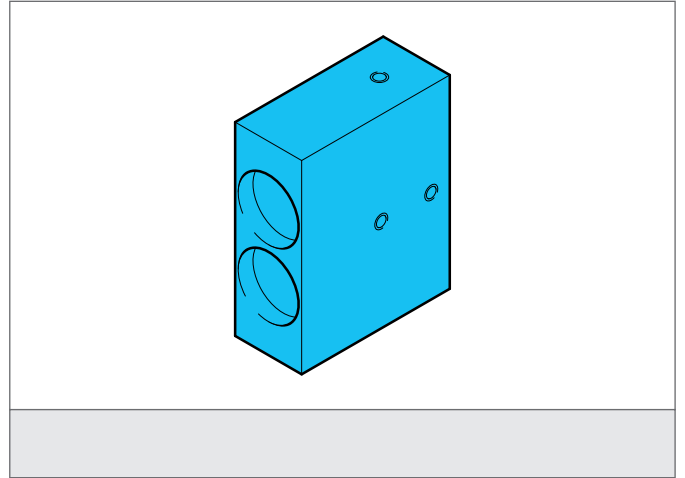


VO-F/90-4.5-2.5

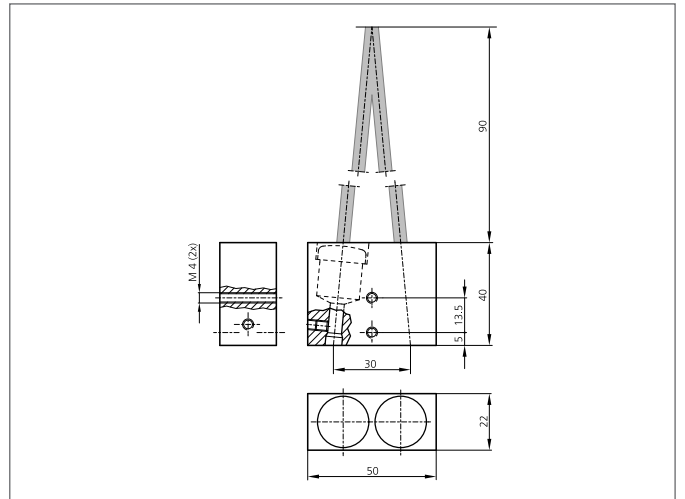
Focus Optic

- Focusing of the light beam to just a small measuring spot diameter
- Enabling the colour measurement on smallest surfaces



Safety instructions

The Instruments are not to be used for safety applications, in particular applications in which safety of persons depends on proper operation of the instruments.
These instruments shall exclusively be used by qualified personnel.



TECHNICAL INFORMATION (typ.)

Light spot size	Ø 14 mm
Working distance	90 mm
Scanning range	70 ... 150 mm
Casing material	Aluminium anodized