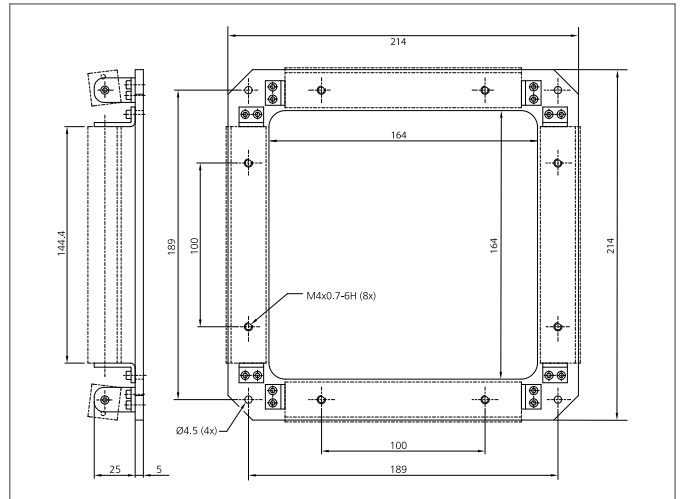
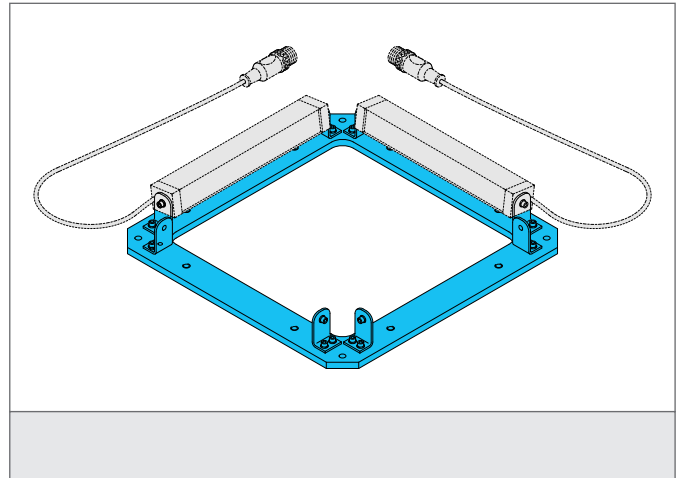


BE 1-A130-Frameset Mounting Frame

- For up to four bar lights BE1-A 130 ...
- Smooth adjustment
- Robust design
- Robust metal casing



TECHNICAL INFORMATION (typ.)

Casing material

+20°C, 24V DC

Aluminium black anodized