

## SP 1200 S

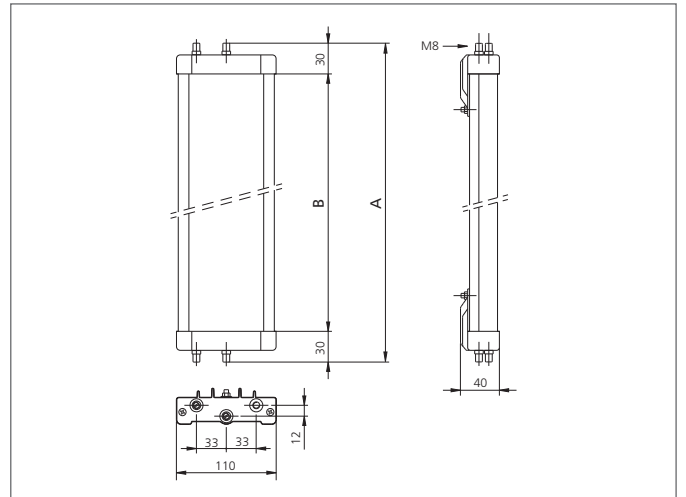
### Deflection mirror

- Not more than one safety light curtain / -grid necessary
- For the realization of circumferential protections up to 4 sides
- Angular orientation adjustable using two supplied brackets
- Special models equipped with a protective anti-fragmentation film on the mirrors available on request
- Optical power reduction factor 15% for each mirror
- Extruded aluminium section bar



### Safety instructions

All the installation, connection and safety regulations, as per our technical information, have to be strictly adhered to.  
The set-up of the products have to be made by skilled staff, only.  
Repair exclusively made by di-soric.



### TECHNICAL INFORMATION (typ.)

|                                |   |
|--------------------------------|---|
| Total height (A)               | 1460 mm   |
| Operating principle            | Deflection mirror   |
| Ambient temperature, operation | -10 ... +55 °C (mirrors)  |
| Suitable for                   | 1210 mm protective field height                                     |
| Casing material                | aluminium extrusion poles, epoxy powder coated, plastics            |
| Version                        | freely adjustable   |
| Scope of delivery              | assembly instruction, 2 adjustable fixing brackets, Fixing material |
| Optical power reduction factor | 15 %  |
| Deflection mirror height (B)   | 1400 mm   |