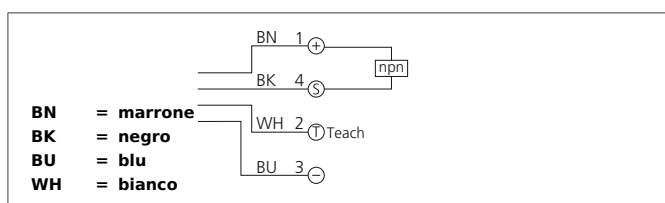


OLVTI 41 N3K-IBS

Amplifier for glass fiber optics

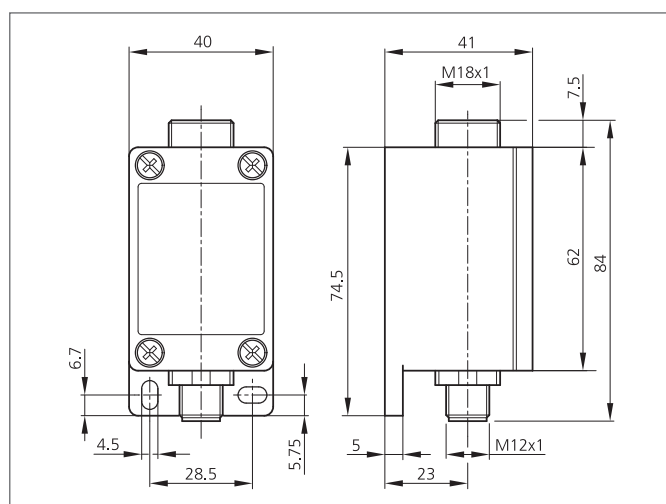
- Metal casing
- Red light
- Teach buttons, remote teach input
- Light/dark switching



Safety instructions

The Instruments are not to be used for safety applications, in particular applications in which safety of persons depends on proper operation of the instruments.

These instruments shall exclusively be used by qualified personnel.



| TECHNICAL INFORMATION (typ.) | | +20°C, 24V DC |
|--------------------------------|--|--|
| Amplifier for | | Glass fiber optics M18 |
| Evaluation | | digital |
| Emitted light | | Red, 680 nm, clocked |
| Service voltage | | 10 ... 35 V DC |
| No-load current | | < 55 mA |
| Control elements | | 3 (Teach, Man-, Man+) |
| Operating distance | | 60 mm |
| Sensitivity adjustment | | Teach key |
| Switching output | | npn, 200 mA, NO/NC, switchable |
| Switching hysteresis | | < 12 % |
| Shock-/vibration load | | 10 ... 55 Hz / 1,0 mm / 30 g |
| Display | | LED: green - Run, yellow - Output, red - Teach / Error |
| Switching frequency | | 1500 Hz |
| Reproducibility | | < 2 % |
| Ambient temperature, operation | | -10 ... +60 °C |
| Temperature drift | | 0,3 %/K |
| Ambient light immunity | | 50 kLx |
| Insulation voltage endurance | | 500 V |
| Protection class | | IP 65 |
| Casing material | | Die-cast zinc lacquered finish |
| Connection | | Connector, M12, 4-poled |