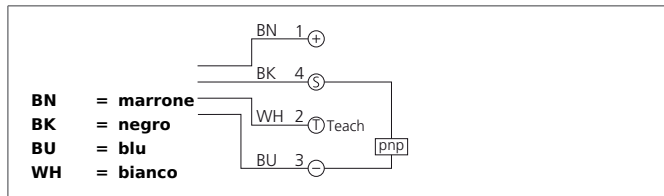


OLVKTI 63 P3K-TSSL

Amplifier for plastic fiber optics

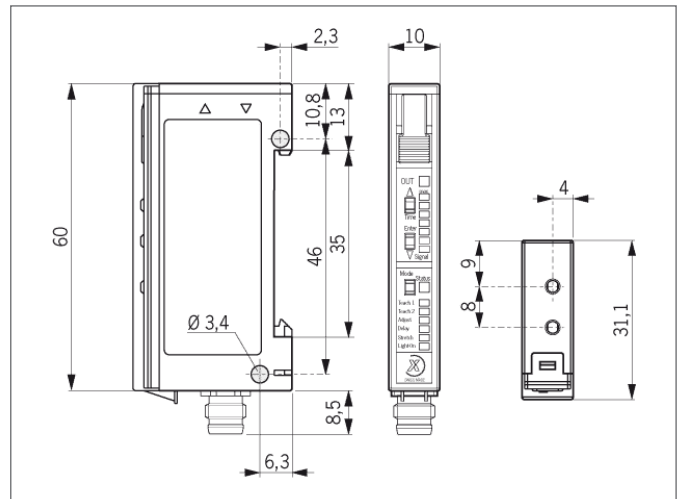
- DIN-rail mounting and lateral mounting holes
- Mountable side by side, 10 mm mounting grid
- Scanning range up to 200 mm, operating range up to 1500 mm
- With teach function, manual fine adjustment
- Version with timer function
- Light/dark switching switchable



Safety instructions

The Instruments are not to be used for safety applications, in particular applications in which safety of persons depends on proper operation of the instruments.

These instruments shall exclusively be used by qualified personnel.



TECHNICAL INFORMATION (typ.)	
Amplifier for	+20°C, 24V DC Plastic fiber optics 2x2,2 mm
Evaluation	digital
Emitted light	Blue, 465 nm, clocked
Service voltage	10 ... 30 V DC
No-load current	< 25 mA
Sensitivity adjustment	Teach key + remote teach
Switching output	pnp, 200 mA, NO/NC, switchable
Switching hysteresis	< 10 %
Shock-/vibration load	10 ... 55 Hz / 1,0 mm / 30 g
Voltage drop	< 2,0 V
Switching frequency	1500 Hz
Response-/release time	0,33 ms / 0,33 ms
Ambient temperature, operation	-25 ... +55 °C
Temperature drift	0,3 %/K
Ambient light immunity	10 kLx
Insulation voltage endurance	500 V
Protection class	IP 64
Casing material	plastics (PBT)
Connection	Connector, M8, 4-poled