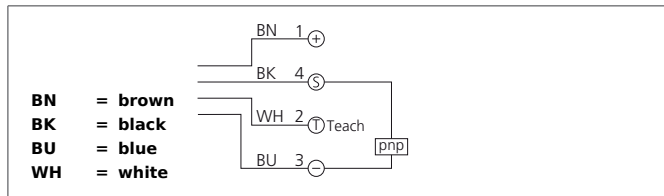


# OLVTI 40 P3K-IBS

## Amplifier for glass fiber optics

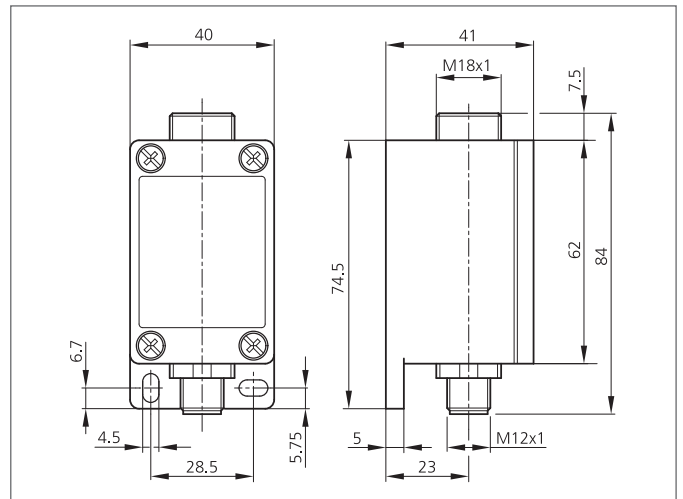
- Light/dark switching
- Sensitivity via external teach input or via push buttons adjustable
- Metal casing
- Infrared light
- High operating frequency
- Metal connector
- High protection class



### Safety instructions

The Instruments are not to be used for safety applications, in particular applications in which safety of persons depends on proper operation of the instruments.

These instruments shall exclusively be used by qualified personnel.



TECHNICAL INFORMATION (typ.)		+20°C, 24V DC
Amplifier for		Glass fiber optics M18
Evaluation		digital
Emitted light		Infrared, 880 nm, clocked
Service voltage		10 ... 35 V DC
No-load current		< 45 mA
Control elements		3 (Teach, Man-, Man+)
Operating distance		80 mm
Sensitivity adjustment		Teach key + remote teach
Switching output		pnp, 200 mA, NO/NC, programmable
Switching hysteresis		< 12 %
Shock-/vibration load		10 ... 55 Hz / 1,0 mm / 30 g
Display		LED: green - Run, yellow - Output, red - Teach / Error
Voltage drop		< 2,8 V
Switching frequency		1500 Hz
Reproducibility		< 2 %
Ambient temperature, operation		-10 ... +60 °C
Ambient light immunity		50 kLx
Insulation voltage endurance		500 V
Protection class		IP 65
Casing material		Die-cast zinc lacquered finish
Connection		Connector, M12, 4-poled