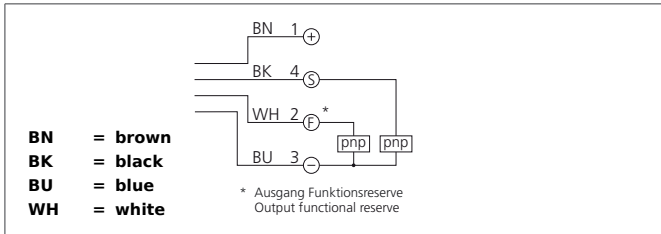


OLVK 63 P3FK-TSSL

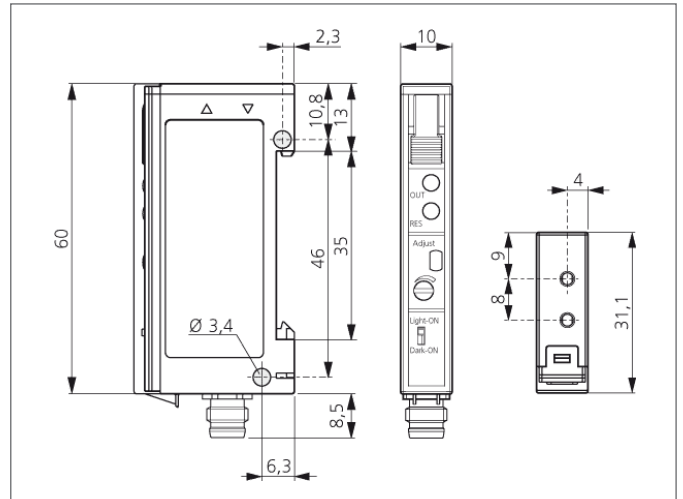
Amplifier for plastic fiber optics

- DIN-rail mounting and lateral mounting holes
- Mountable side by side, 10 mm mounting grid
- 12-turn metal potentiometer with illuminated readout
- Scanning range up to 200 mm, operating range up to 1500 mm
- Version with functional reserve output
- Light/dark switching switchable



Safety instructions

The Instruments are not to be used for safety applications, in particular applications in which safety of persons depends on proper operation of the instruments.
These instruments shall exclusively be used by qualified personnel.



| TECHNICAL INFORMATION (typ.) | | +20°C, 24V DC |
|--------------------------------|--|--|
| Amplifier for | | Plastic fiber optics 2x2,2 mm |
| Evaluation | | digital |
| Size | | 60 x 31 x 10 mm (Dimensions) |
| Emitted light | | Blue, 465 nm, clocked |
| Service voltage | | 10 ... 30 V DC |
| No-load current | | < 15 mA |
| Sensitivity adjustment | | potentiometer |
| Switching output | | pnp, 200 mA, NO/NC, switchable |
| Switching hysteresis | | < 10 % |
| Shock-/vibration load | | 10 ... 55 Hz / 1,0 mm / 30 g |
| Voltage drop | | < 2,0 V |
| Switching frequency | | 1500 Hz |
| Response-/release time | | 0,33 ms / 0,33 ms |
| Ambient temperature, operation | | -25 ... +55 °C |
| Temperature drift | | 0,3 %/K |
| Ambient light immunity | | 10 kLx |
| Insulation voltage endurance | | 500 V |
| Protection class | | IP 64 |
| Protection degree | | III, operation on protective low voltage |
| Casing material | | plastics (PBT) |
| Connection | | Connector, M8, 4-poled |