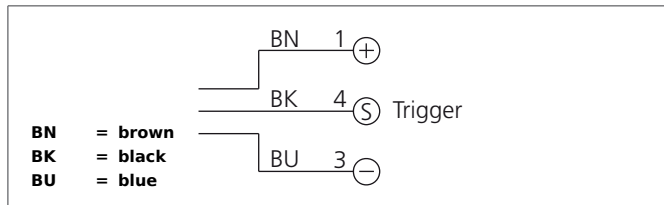


# BEK 1-D120-G3TI-IBS

## Darkfield Light

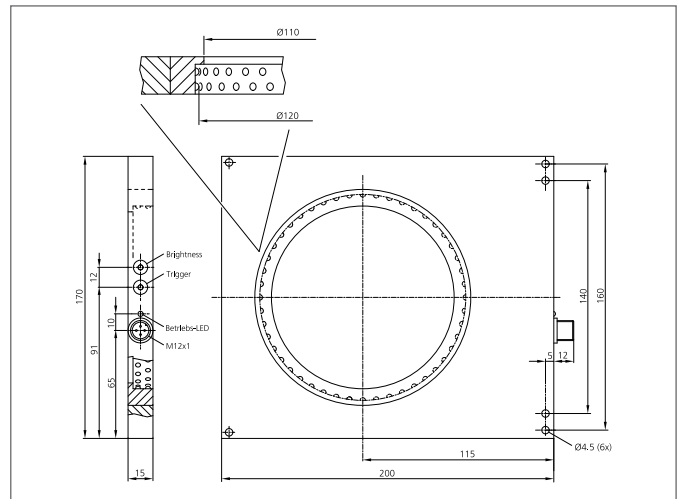
- To detect the finest change of surface
- Constant level of light intensity over the entire voltage range
- Homogenous illumination
- Protection class IP 67
- Low levels of heat produced
- External trigger input
- High efficiency
- Light intensity can be adjusted
- Sturdy housing design



### Safety instructions

The Instruments are not to be used for safety applications, in particular applications in which safety of persons depends on proper operation of the instruments.

These instruments shall exclusively be used by qualified personnel.



TECHNICAL INFORMATION (typ.)		+20°C, 24V DC
Size		170 x 200 x 15 mm (Dimensions) Ø 120 mm (Diameter)
Design		cuboid design
Illuminated area		Ø 120 mm
Characteristics		Internal control of power output, Trigger input
Light colour		Blue, 465 nm
Emission angle FWHM		20°
Service voltage		10 ... 35 V DC (Supply Class 2)
No-load current		340 mA, (24 V DC)
Trigger input low level		0 ... < 2,8 V
Trigger input high level		> 3,3 ... 35 V
Power		8,0 W (24 V DC)
Shock-/vibration load		10 ... 55 Hz / 1,0 mm / 30 g
Inverse polarity protection		Yes
Display		LED: green - Operation
On-delay time (Trig.)		0,270 ms
Switch off delay (Trig.)		0,070 ms
Ambient temperature, operation		0 ... +50 °C
Insulation voltage endurance		500 V
Protection class		IP 67
Protection degree		III, operation on protective low voltage
Risk group (DIN EN 62471)		Free group
Casing material		Aluminium black anodized

# BEK 1-D120-G3TI-IBS

## Darkfield Light



TECHNICAL INFORMATION (typ.)	+20°C, 24V DC
Connection	Connector, M12, 3-poled
Connecting cable	VK ...