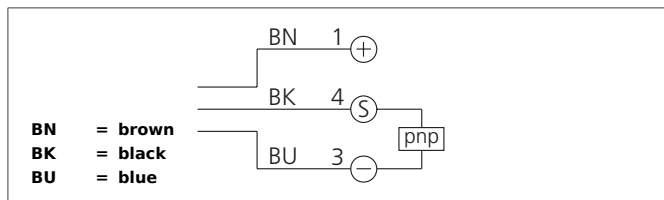
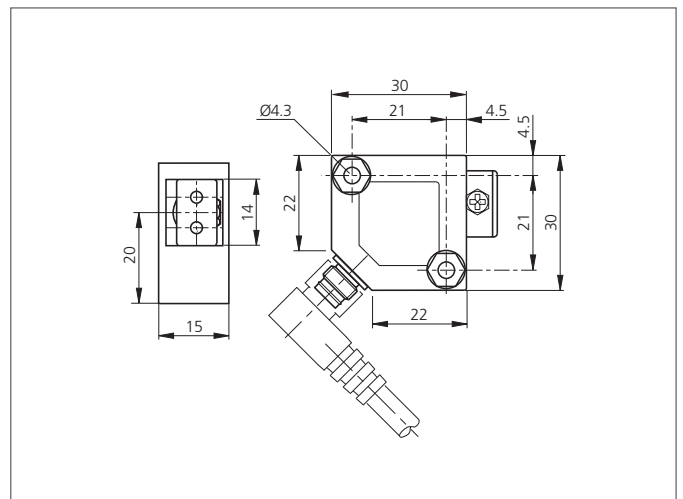


- 小尺寸的塑料外壳
- 安装简便
- 红光
- 灵敏度可调
- 高操作频率
- 防短路和反极性



Safety instructions

The Instruments are not to be used for safety applications, in particular applications in which safety of persons depends on proper operation of the instruments. These instruments shall exclusively be used by qualified personnel.



| TECHNICAL INFORMATION (typ.) | | +20°C, 24V DC |
|------------------------------|--|-------------------------------|
| 放大器 | | Plastic fiber optics 2x2,2 mm |
| 评估 | | 数字的 |
| 尺寸 | | 30 x 30 x 15 mm (尺寸) |
| 发射光 | | 红色光, 660 nm, 已调制 |
| 工作电压 | | 10 ... 36 V DC |
| 内部功耗 | | < 15 mA |
| 灵敏度调节 | | 电位计 |
| 开关输出 | | pnp, 200 mA, NC |
| 开关滞后 | | < 10 % |
| 负载振荡 | | 10 ... 55 Hz / 1,0 mm / 30 g |
| 压降 | | < 2,0 V |
| 工作频率 | | 5000 Hz |
| 反应时间/释放时间 | | 0,50 ms / 0,50 ms |
| 环境温度 | | -25 +55 °C |
| 温度漂移 | | 0,3 %/K |
| 环境光免疫 | | 10 kLx |
| 绝缘电压 | | 1.000 V |
| 防护等级 | | IP 67 |
| 外壳材料 | | plastics (PBT) |
| 连接 | | Connector, M8, 3-poled |