

OLVK 31 P1K-TSSL

Amplifier for plastic fiber optics

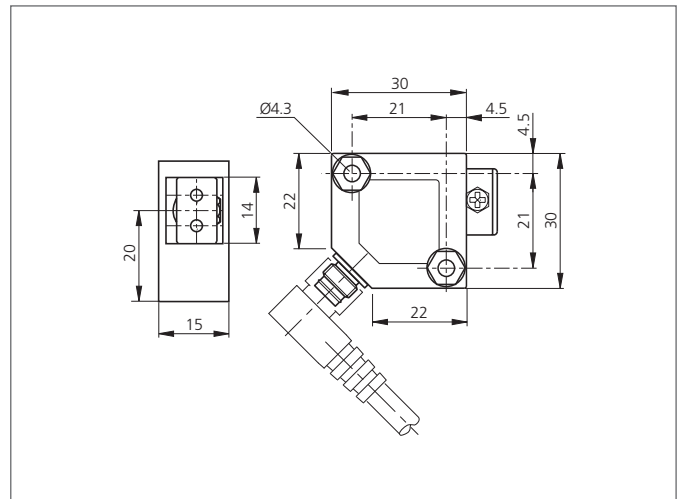
- Compact plastic casing
- Easy-to-install
- Red light
- Sensitivity adjustable
- High operating frequency
- Protection against short-circuit and reverse polarity



Safety instructions

The Instruments are not to be used for safety applications, in particular applications in which safety of persons depends on proper operation of the instruments.

These instruments shall exclusively be used by qualified personnel.



TECHNICAL INFORMATION (typ.)		+20°C, 24V DC
Amplifier for		Plastic fiber optics 2x2,2 mm
Evaluation		digital
Size		30 x 30 x 15 mm (Dimensions)
Emitted light		Red, 660 nm, clocked
Service voltage		10 ... 36 V DC
No-load current		< 15 mA
Sensitivity adjustment		potentiometer
Switching output		pnp, 200 mA, NO
Switching hysteresis		< 10 %
Shock-/vibration load		10 ... 55 Hz / 1,0 mm / 30 g
Voltage drop		< 2,0 V
Switching frequency		5000 Hz
Response-/release time		0,50 ms / 0,50 ms
Ambient temperature, operation		-25 ... +55 °C
Temperature drift		0,3 %/K
Ambient light immunity		10 kLx
Insulation voltage endurance		1.000 V
Protection class		IP 67
Casing material		plastics (PBT)
Connection		Connector, M8, 3-poled