

USB-A-M-1.8
USB cable A to mini-B

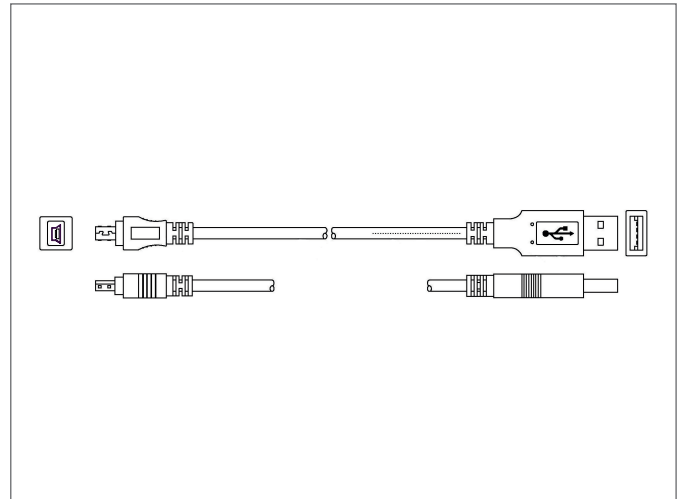


- USB A型到迷你B型
- 速度可达480 Mbps



Safety instructions

All the installation, connection and safety regulations, as per our technical information, have to be strictly adhered to.
 The set-up of the products have to be made by skilled staff, only.
 Repair exclusively made by di-soric.



TECHNICAL INFORMATION (typ.)		+20°C, 24V DC
长度		1500 mm
为了		PC connection of MS-1 Main unit
材料		Nickel plated (连接器)
模型/型号		USB2.0兼容 (高速)
连接		USB, Connector, Typ A
Connection 2		Connector, USB-Mini-B, (3,5 x 5 mm), 5-poled