

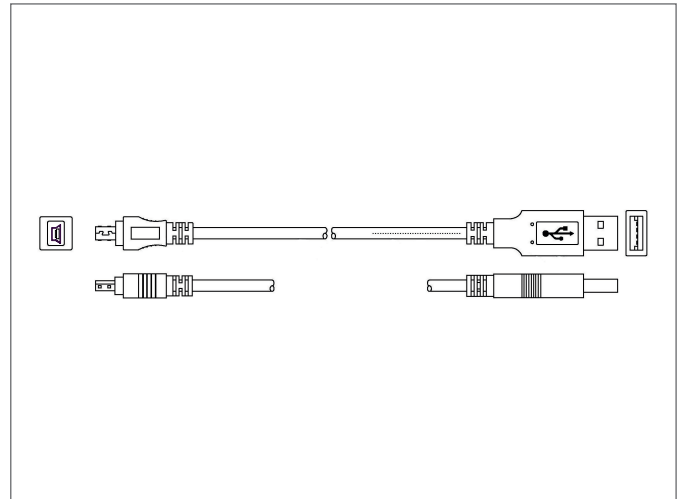
USB-A-M-1.8
USB cable A to mini-B

- USB type A to mini B
- Speed up to 480 Mbps



Safety instructions

All the installation, connection and safety regulations, as per our technical information, have to be strictly adhered to. The set-up of the products have to be made by skilled staff, only. Repair exclusively made by di-soric.



TECHNICAL INFORMATION (typ.)		+20°C, 24V DC
Length		1.500 mm
Suitable for		PC connection of MS-1 Main unit
Material		Nickel plated (connector)
Version		USB 2.0 compatible (High Speed)
Connection		USB, Connector, Typ A
Connection 2		Connector, USB-Mini-B, (3,5 x 5 mm), 5-poled