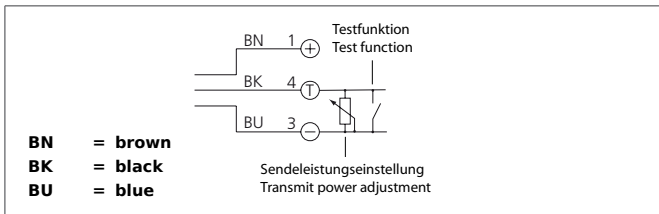
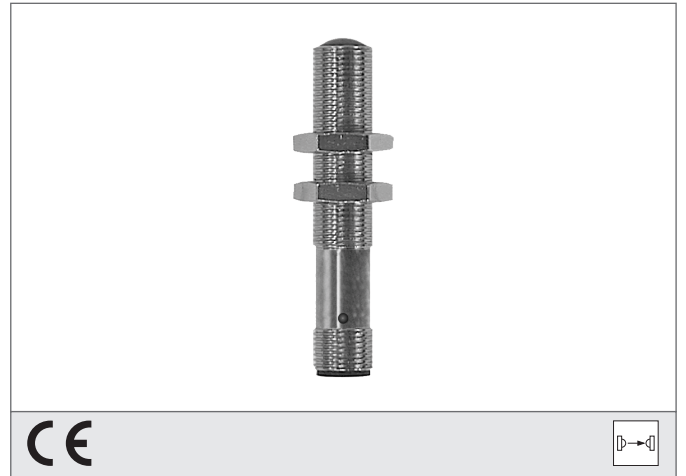


## OSP 12 VLF-IBSL

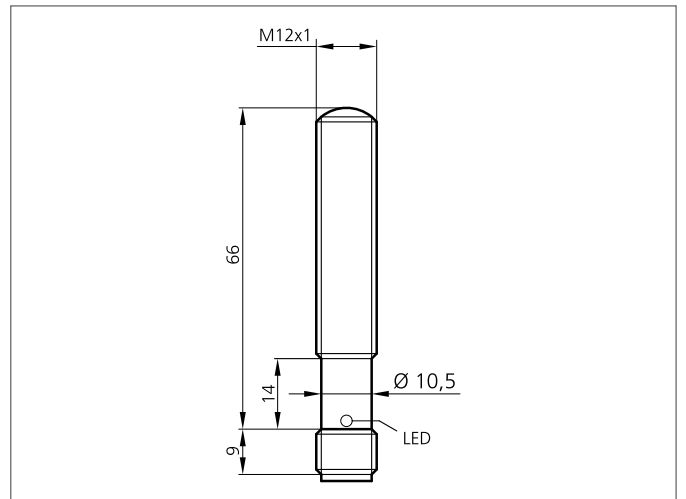
### High Performance Photoelectric Sensor, Transmitter

- Operating distances up to 20 m
- Transmit power with external resistance adjustable
- High functional reserve
- Extremely dirt-resistant
- Easy adjustment
- Different designs to be combined
- High protection class
- Compact design



#### Safety instructions

The Instruments are not to be used for safety applications, in particular applications in which safety of persons depends on proper operation of the instruments.  
 These instruments shall exclusively be used by qualified personnel.



TECHNICAL INFORMATION (typ.)		+20°C, 24V DC
Operating principle		Through beam sensors, transmitter
Evaluation		digital
Size		M12 x 1 (thread)
Design		screw
Characteristics		High transmit power and dirt penetration
Emitted light		Infrared, 870 nm, clocked
Emission angle FWHM		15°
Opening angle		15°
Service voltage		10 ... 35 V DC
No-load current		< 55 mA
Operating distance		0 ... 20 m dependent on the receiver
Sensitivity adjustment		no setting elements
Shock-/vibration load		10 ... 55 Hz / 1,0 mm / 30 g
Ambient temperature, operation		-20 ... +60 °C
Protection class		IP 67, IP 68, IP 69K
Protection degree		III, operation on protective low voltage
Casing material		stainless steel V2A (1.4301 / AISI 304)
Connection		Connector, M12, 3-poled