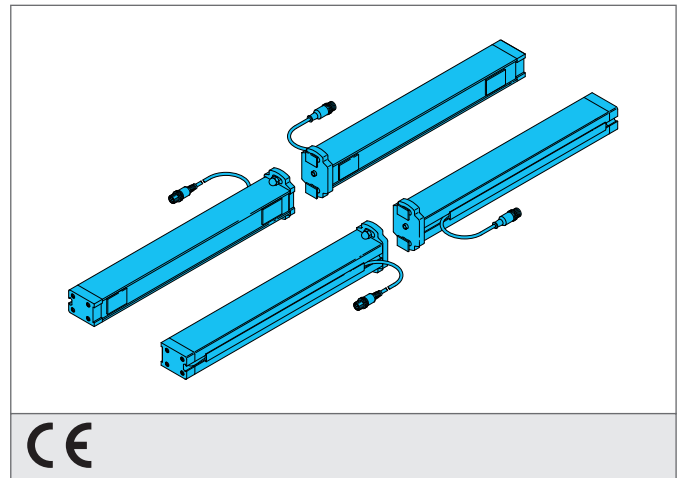


## MA-T4P TRX V

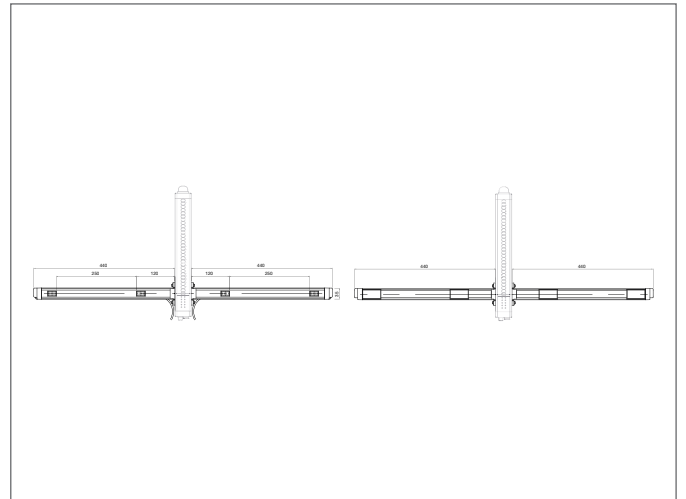
### Muting arms

- Muting easily done by hardware wiring to SLM4
- Pre-wired muting arms for SLM4 for quick start-up
- Integratable, height-adjustable muting arms in mounting groove from SLM4
- Simple connector, connection of the muting sensors directly at the SLM4 safety light grid



### Safety instructions

All the installation, connection and safety regulations, as per our technical information, have to be strictly adhered to.  
The set-up of the products have to be made by skilled staff, only.  
Repair exclusively made by di-soric.



TECHNICAL INFORMATION (typ.)	+20°C, 24 V DC
función de protección	Control de acceso
Principio de funcionamiento	Sensor en espejo
Número de haces	1
Características	for high speeds
Luz emitida	Infrarrojo
Tensión de alimentación	19,2 ... 28,8 V DC
Distancia de trabajo	0 ... 3,5 m
Salida de conmutación	pnp, 100 mA, NO
Temperatura ambiente, operación	-30 ... +55 °C
Scope of delivery	Guía de instalación rápida, Material de fijación, 4 muting arms
Muting sensors adjustable in	height
Execution of the muting arms	Parallel muting, T (4 muting arms), 4 muting sensors