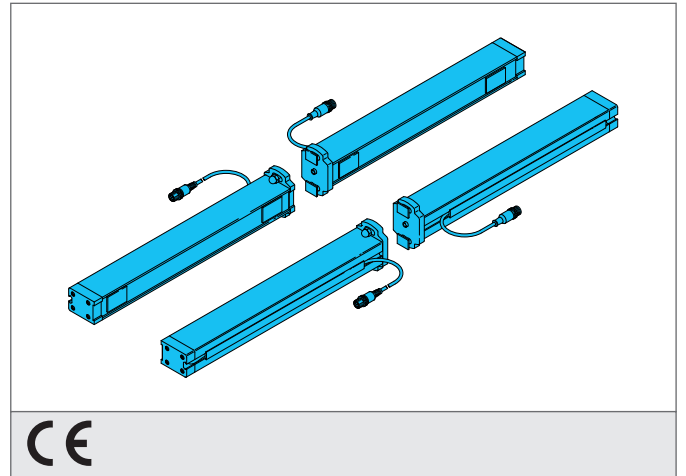


MA-T4P TRX G

Muting arms

- Muting easily done by hardware wiring to SLM4
- Pre-wired muting arms for SLM4 for quick start-up
- Integratable, height-adjustable muting arms in mounting groove from SLM4
- Simple connector, connection of the muting sensors directly at the SLM4 safety light grid

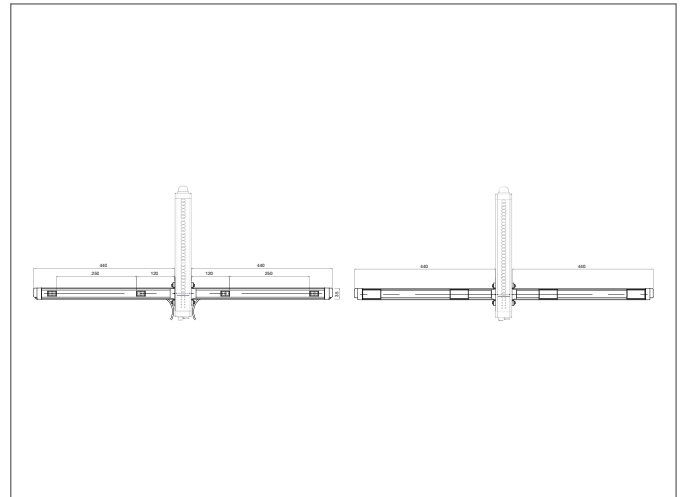


Safety instructions

All the installation, connection and safety regulations, as per our technical information, have to be strictly adhered to.

The set-up of the products have to be made by skilled staff, only.

Repair exclusively made by di-soric.



| TECHNICAL INFORMATION (typ.) | +20°C, 24 V DC |
|------------------------------|--|
| 安全等级 | 进入控制 |
| 操作原理 | 镜反射传感器 |
| 光束数量 | 1 |
| 特征 | transparent recognition |
| 发射光 | 红外光 |
| 工作电压 | 19,2 ... 28,8 V DC |
| 工作距离 | 0 ... 2,0 m |
| 开关输出 | pnp, 100 mA, NO |
| 环境温度 | -30 +55 ° C |
| 交货范围 | 快速安装指南, Fixing material, 4 muting arms |
| Muting sensors adjustable in | height |
| Execution of the muting arms | Parallel muting, T (4 muting arms), 4 muting sensors |
| | |
| | |
| | |
| | |
| | |
| | |