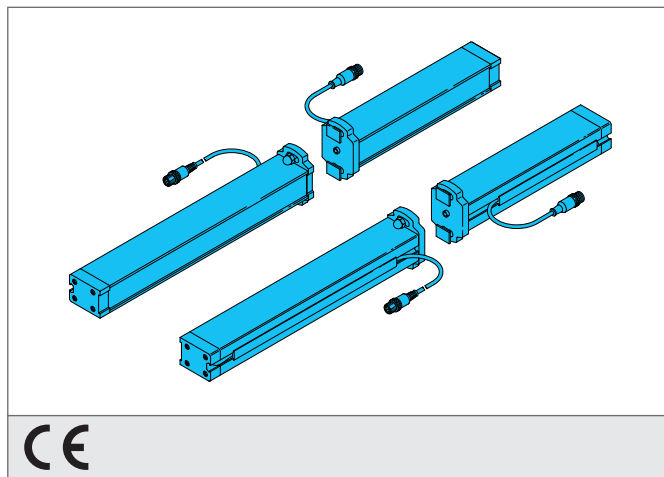


## MA-T2X

### Muting arms

- Muting easily done by hardware wiring to SLM4
- Pre-wired muting arms for SLM4 for quick start-up
- Integratable, height-adjustable muting arms in mounting groove from SLM4
- Simple connector, connection of the muting sensors directly at the SLM4 safety light grid



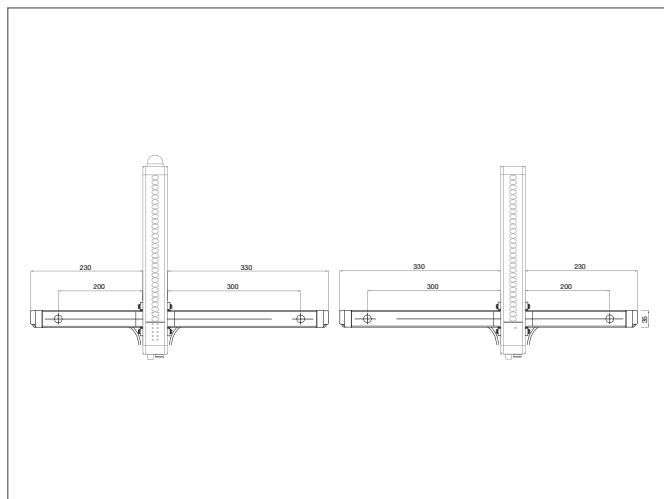
CE

### Safety instructions

All the installation, connection and safety regulations, as per our technical information, have to be strictly adhered to.

The set-up of the products have to be made by skilled staff, only.

Repair exclusively made by di-soric.



### TECHNICAL INFORMATION (typ.)

安全等级	+20 °C, 24 V DC
操作原理	进入控制
光束数量	对射传感器
发射光	1
工作电压	红外光
工作距离	19,2 ... 28,8 V DC
开关输出	0 ... 2,5 m
环境温度	pnp, 100 mA, NO
交货范围	-30 +55 ° C
Muting sensors adjustable in	快速安装指南, Fixing material, 4 muting arms
Execution of the muting arms	height
	L (2 muting arms), 2 muting sensors, Cross muting, T (4 muting arms)