

# LVB-24VDC

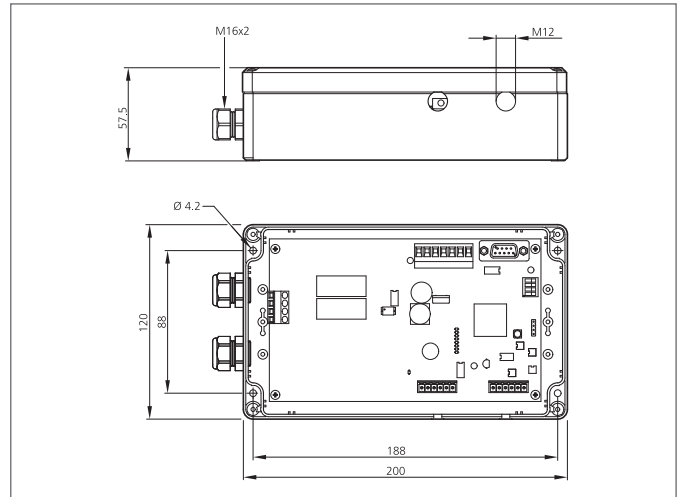
## Evaluation Electronic

- Evaluation electronics for one light curtain LI ...
- Relative switching threshold, there are very reliable objekt detection
- Enhanced safety: Safe switch-off because of sticky contacts
- No fading out of errors
- Relay output
- Operating distance adjustable via self adjustment
- Diagnosis LEDs
- Interface: RS232



### Safety instructions

The Instruments are not to be used for safety applications, in particular applications in which safety of persons depends on proper operation of the instruments.  
These instruments shall exclusively be used by qualified personnel.



TECHNICAL INFORMATION (typ.)	+20°C, 24V DC
Number of beams	max. 500 evaluable
Number	1 (number of light curtains to be operated)
Output function	Light-On
Service voltage	19 ... 30 V DC
Operating distance	0,4 ... 6 m self adjustment
Light beam evaluation	multiplexing
Cycle time per light beam	from 0,08 ms/beam (depending on operating distance and parametrisation)
Switching output	Switching output, Relay (1x)
Contact rating	250 V DC, 250 W / 400 V AC, 2000 VA
Shock-/vibration load	10 ... 55 Hz / 1,0 mm / 30 g
Display	LEDs for light curtain's status and error indicator
Switching frequency	10 Hz
Ambient temperature, operation	0 ... +40 °C
Protection class	IP 54
EMC directives	EN 61000-6-3:2001 / EN 61000-6-1:2001
Casing material	ABS grey
Connection	COMBICON, Socket, 1,8 m, 6-poled, coded