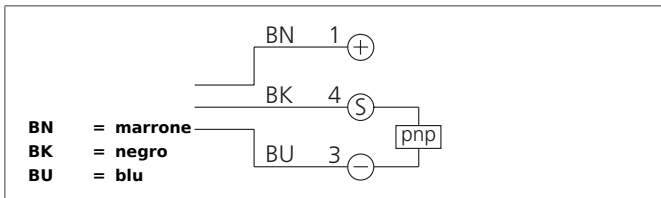
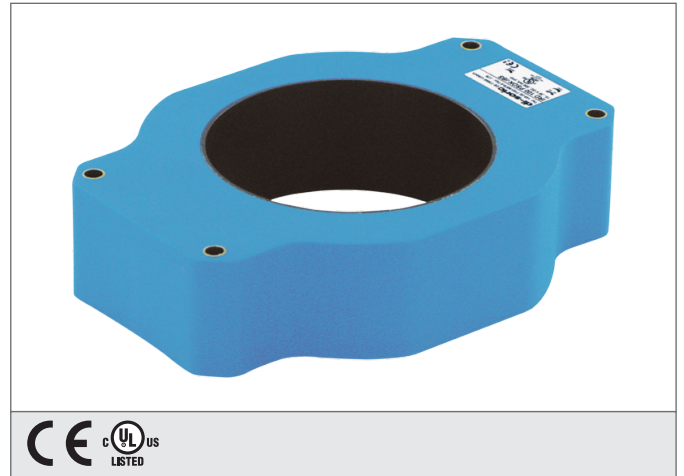


# IR 100 PSOK-IBS

## Inductive Ring Sensor

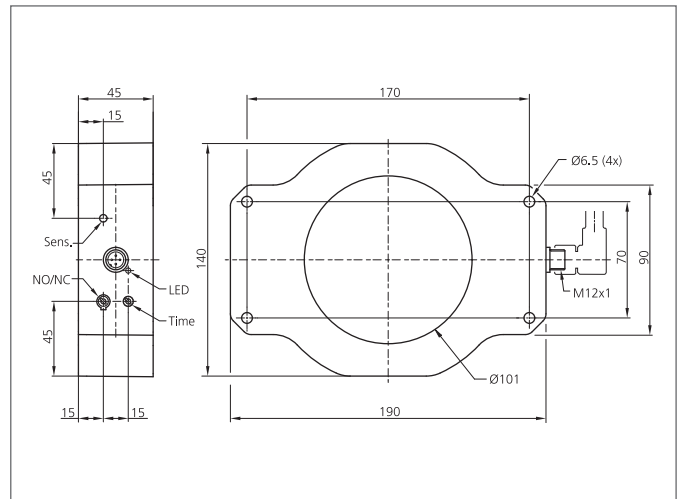
- High resolution
- Short response time
- Sensitivity and pulse stretching adjustable
- Insensitive to dirt
- Static working principle
- Metal connector
- High protection class



### Safety instructions

The Instruments are not to be used for safety applications, in particular applications in which safety of persons depends on proper operation of the instruments.

These instruments shall exclusively be used by qualified personnel.



| TECHNICAL INFORMATION (typ.)   | +20°C, 24V DC                            |
|--------------------------------|--|
| Operating principle            | Static                                   |
| Inside diameter                | 101 mm                                   |
| Service voltage                | 10 ... 35 V DC (Supply Class 2)          |
| No-load current                | < 15 mA                                  |
| Resolution                     | Ø 10 mm                                  |
| Sensitivity adjustment         | potentiometer                            |
| Mounting distance to metal     | > 80 mm                                  |
| Switching output               | pnp, 200 mA, NO/NC, switchable           |
| Shock-/vibration load          | 10 ... 55 Hz / 1,0 mm / 30 g             |
| Speed of parts                 | < 25 m/s                                 |
| Pulse stretching               | 10 ... 150 ms adjustable                 |
| Voltage drop                   | < 2,0 V                                  |
| Response-/release time         | 0,50 ms / 10 ms                          |
| Ambient temperature, operation | -25 ... +70 °C                           |
| Insulation voltage endurance   | 1.000 V                                  |
| Protection class               | IP 67                                    |
| Protection degree              | III, operation on protective low voltage |
| Casing material                | polyamide / ring POM                     |
| Connection                     | Connector, M12, 4-poled                  |
| Connecting cable               | VK ...                                   |