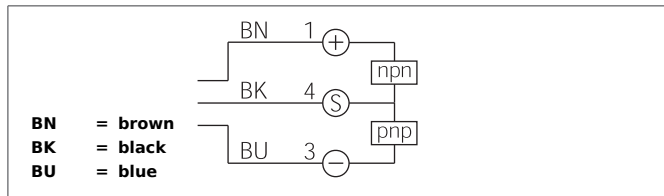
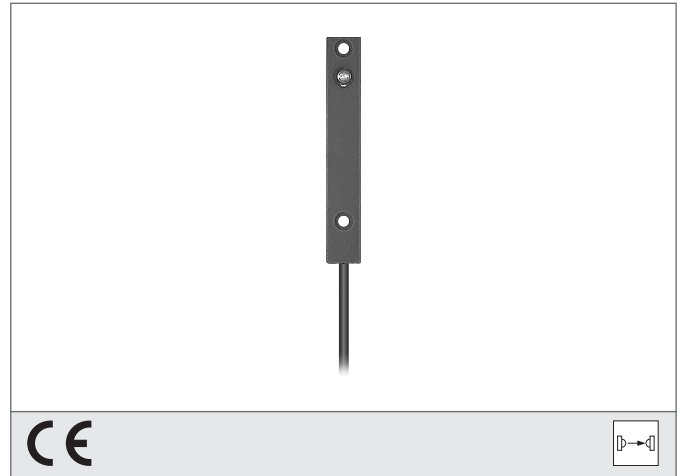


## OEPQ 12 M 20000 G2L-5M

### High Performance Photoelectric Sensor, Receiver

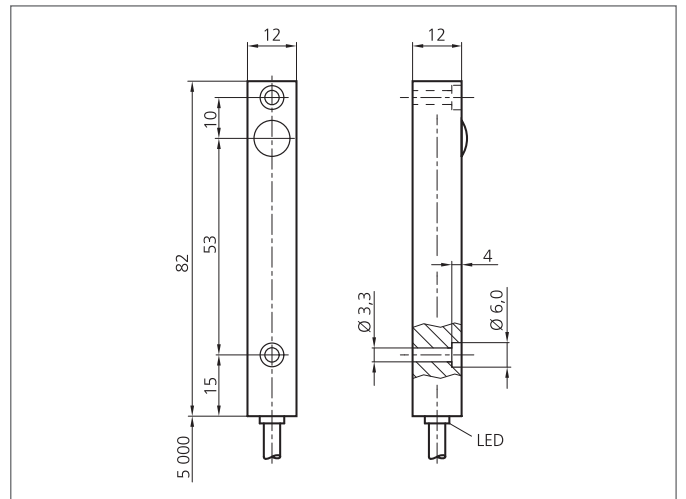
- Operating distances up to 20 m
- Integrated amplifier electronics
- Transistor output with push-pull
- High functional reserve
- Extremely dirt-resistant
- Easy adjustment
- Different designs to be combined
- High protection class
- Compact design



#### Safety instructions

The Instruments are not to be used for safety applications, in particular applications in which safety of persons depends on proper operation of the instruments.

These instruments shall exclusively be used by qualified personnel.



| TECHNICAL INFORMATION (typ.)   |  | +20°C, 24V DC                                    |
|--------------------------------|--|--|
| Operating principle            |  | Through beam sensors, receiver, switching output |
| Evaluation                     |  | digital  |
| Size                           |  | 82 x 12 x 12 mm (Dimensions)                     |
| Design                         |  | cuboid design                                    |
| Characteristics                |  | High transmit power and dirt penetration         |
| Service voltage                |  | 10 ... 35 V DC                                   |
| No-load current                |  | < 40 mA  |
| Operating distance             |  | 0 ... 20000 mm dependent on the transmitter      |
| Sensitivity adjustment         |  | no setting elements                              |
| Switching output               |  | Push pull, 200 mA, NO                            |
| Shock-/vibration load          |  | 10 ... 55 Hz / 1,0 mm / 30 g                     |
| Switching frequency            |  | 150 Hz   |
| Ambient temperature, operation |  | -20 ... +60 °C                                   |
| Ambient light immunity         |  | 15 kLx, Sunlight, 2 kLx, clocked light           |
| Protection class               |  | IP 67  |
| Protection degree              |  | III, operation on protective low voltage         |
| Casing material                |  | Aluminium anodized                               |
| Material                       |  | PVC (Cable)                                      |
| Connection                     |  | Cable, 5,0 m                                     |