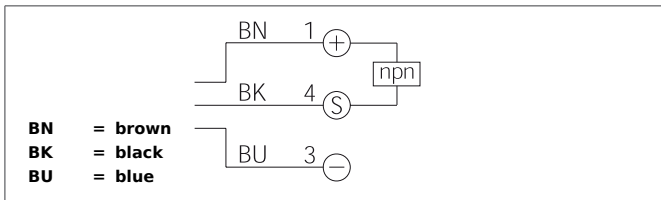


## ORV 30 K 2000 N1K-TSSL Retroreflective Sensor

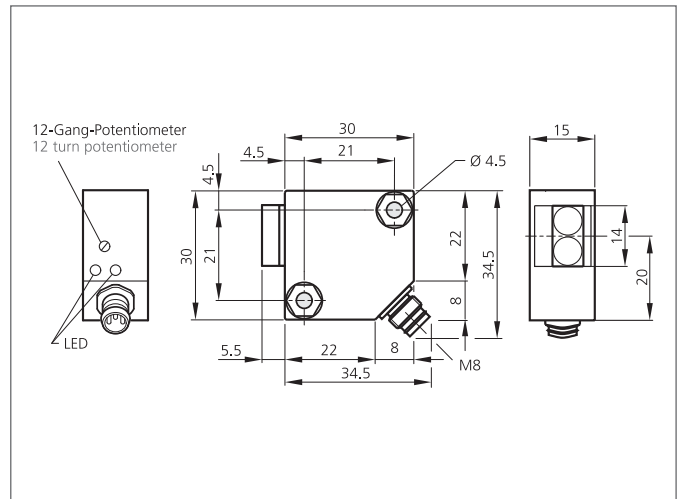
- Small design
- Red light
- Sensitivity adjustable, large operating distance
- Polarized filter



### Safety instructions

The Instruments are not to be used for safety applications, in particular applications in which safety of persons depends on proper operation of the instruments.

These instruments shall exclusively be used by qualified personnel.



TECHNICAL INFORMATION (typ.)		+20°C, 24V DC
Operating principle		Retroreflective sensor
Evaluation		digital
Size		30 x 30 x 15 mm (Dimensions)
Design		cuboid design
Characteristics		Integrated polarized filter
Emitted light		Red, 660 nm, clocked
Operating distance		200 ... 2000 mm adjustable
Service voltage		10 ... 36 V DC
No-load current		< 15 mA
Sensitivity adjustment		Potentiometer 12-way
Referring reflector		Ø 84 mm, R 84
Switching output		npn, 200 mA, NC
Switching hysteresis		< 10 %
Shock-/vibration load		10 ... 55 Hz / 1,0 mm / 30 g
Voltage drop		< 2,0 V
Switching frequency		1000 Hz
Response-/release time		0,50 ms / 0,50 ms
Ambient temperature, operation		-25 ... +55 °C
Ambient light immunity		10 kLx
Insulation voltage endurance		500 V
Protection class		IP 67
Protection degree		III, operation on protective low voltage
Casing material		plastics (PBT)

# ORV 30 K 2000 N1K-TSSL

## Retroreflective Sensor



<b>TECHNICAL INFORMATION (typ.)</b>	<b>+20°C, 24V DC</b>
Material	glass (Window)
Connection	Connector, M8, 3-poled