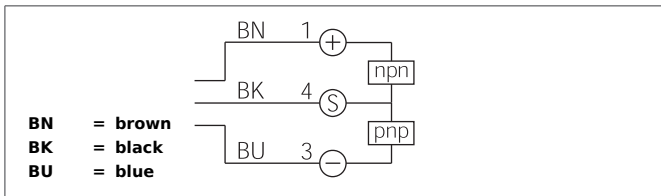


ORT 41 M 10 G3-T3

Retroreflective Sensor

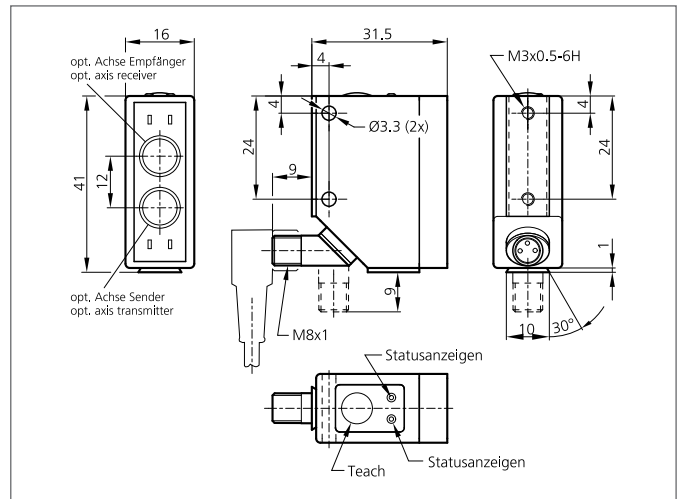
- High operating distances with a small design
- Plug, rotatable 270°
- Dovetail groove for secure mounting
- NO/NC changeover by teach button
- Auto and two-point teach procedures
- Visible red light with small light spot
- Small metal casing design
- Display for unstable function



Safety instructions

The Instruments are not to be used for safety applications, in particular applications in which safety of persons depends on proper operation of the instruments.

These instruments shall exclusively be used by qualified personnel.



TECHNICAL INFORMATION (typ.)	+20°C, 24V DC
Operating principle	Retroreflective sensor
Evaluation	digital
Size	41 x 31,5 x 16 mm (Dimensions)
Design	cuboid design
Emitted light	Red, 630 nm, clocked
Operating distance	200 ... 10000 mm
Service voltage	10 ... 30 V DC
No-load current	< 40 mA
Sensitivity adjustment	Teach key
Referring reflector	100 x 100 mm
Switching output	Push pull, 200 mA, NO/NC, switchable
Switching hysteresis	< 10 %
Shock-/vibration load	10 ... 55 Hz / 1,0 mm / 30 g
Switching frequency	1000 Hz
Reproducibility	< 1 %
Ambient temperature, operation	-20 ... +60 °C
Ambient light immunity	50 kLx
Protection class	IP 67
Protection degree	III, operation on protective low voltage
Casing material	Die-cast zinc black lacquered finish
Material	polymethyl methacrylate (Window)
Connection	Connector, M8, 3-poled