

MZES 3.9 PSL/5 Sensor for Gripper Systems

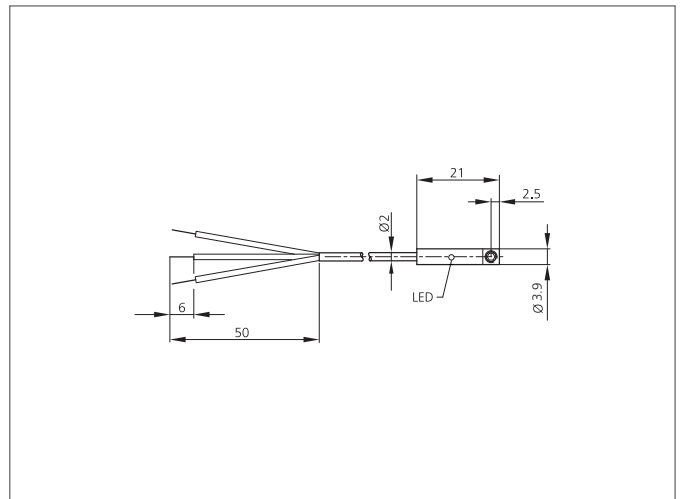
- Special magnet field for use on gripping tongs with C-shaped slot 3.9 mm
- Short design
- Stainless steel fastening part
- Cable, highly flexible
- All-electronically
- Fully encapsulated electronic circuitry, vibration-resistant
- High reproducibility
- High protection class



Safety instructions

The Instruments are not to be used for safety applications, in particular applications in which safety of persons depends on proper operation of the instruments.

These instruments shall exclusively be used by qualified personnel.



| TECHNICAL INFORMATION (typ.) | +20°C, 24V DC |
|--------------------------------|--|
| Cylinder groove | C-groove 3,9 mm |
| Mounting | Locking screw |
| Maximum rating | 100 mA, not short-circuit-proof, polarity-safe |
| Service voltage | 10 ... 35 V DC |
| No-load current | < 12 mA |
| Switching output | pnp, NO |
| Contact rating | 3 W max. (30 V, 100 mA) |
| Display | LED: yellow - output signal |
| Voltage drop | < 2,0 V |
| Switching frequency | 1000 Hz |
| Reproducibility | < 0,1 mm |
| Ambient temperature, operation | -20 ... +70 °C |
| Insulation voltage endurance | 500 V |
| Protection class | IP 67 |
| Protection degree | III, operation on protective low voltage |
| Casing material | stainless steel, plastics V2A (1.4301 / AISI 304) |
| Material | TPU (Cable) |
| Connection | Cable, 5,0 m, flying leads, 3 x 0,08 mm ² |