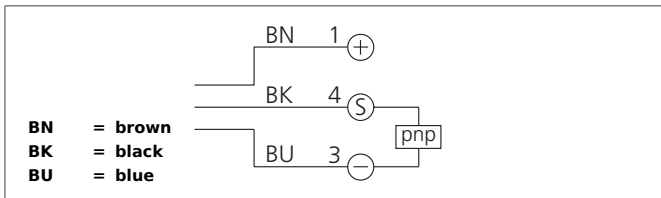


OLV 40 P3K-IBS

Amplifier for glass fiber optics

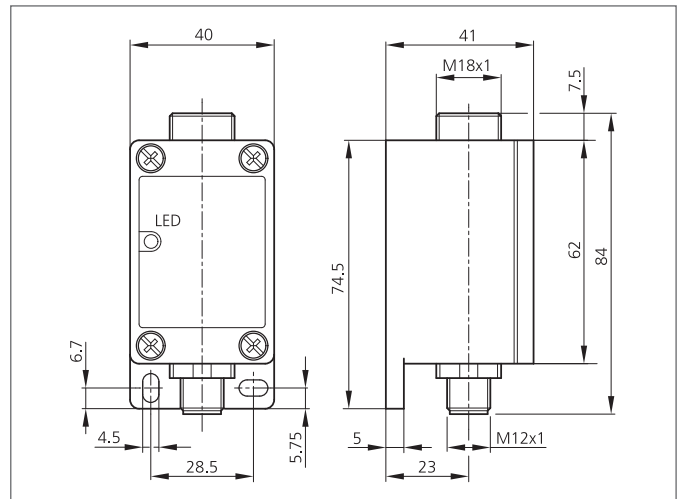
- Metal casing
- Infrared light
- Sensitivity adjustable
- High operating frequency
- Light/dark switching
- Time module optionally available



Safety instructions

The Instruments are not to be used for safety applications, in particular applications in which safety of persons depends on proper operation of the instruments.

These instruments shall exclusively be used by qualified personnel.



| TECHNICAL INFORMATION (typ.) | | +20°C, 24V DC |
|--------------------------------|--|----------------------------------|
| Amplifier for | | Glass fiber optics M18 |
| Evaluation | | digital |
| Emitted light | | Infrared, 880 nm, clocked |
| Service voltage | | 12 ... 35 V DC |
| No-load current | | < 55 mA |
| Sensitivity adjustment | | potentiometer |
| Switching output | | pnp, 200 mA, NO/NC, programmable |
| Switching hysteresis | | < 10 % |
| Shock-/vibration load | | 10 ... 55 Hz / 1,0 mm / 30 g |
| Switching frequency | | 1500 Hz |
| Response-/release time | | 0,33 ms / 0,33 ms |
| Ambient temperature, operation | | -10 ... +60 °C |
| Temperature drift | | 0,3 %/K |
| Ambient light immunity | | 20 kLx |
| Insulation voltage endurance | | 500 V |
| Protection class | | IP 65 |
| Casing material | | Die-cast zinc lacquered finish |
| Connection | | Connector, M12, 3-poled |