

## OR 6-41 K 4 P2-T3 Retroreflective Sensor

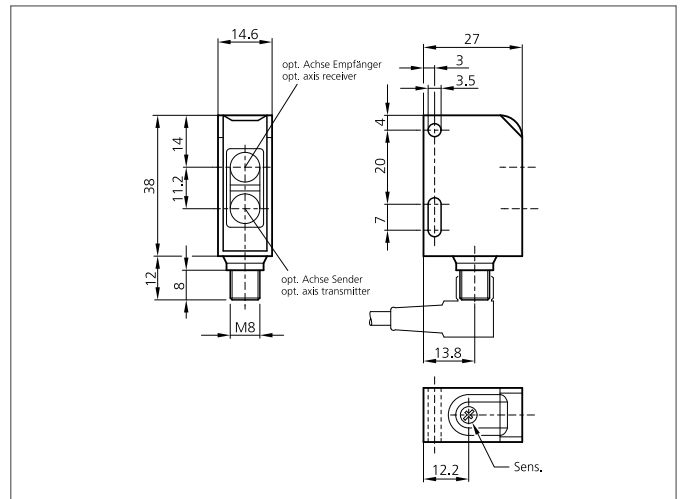
- High operating distance
- Visible red light with small light spot
- Polarized filter
- Sensitivity adjustable
- Small design
- All-purpose mounting
- LED indicator for output state



### Safety instructions

The Instruments are not to be used for safety applications, in particular applications in which safety of persons depends on proper operation of the instruments.

These instruments shall exclusively be used by qualified personnel.



TECHNICAL INFORMATION (typ.)	+20°C, 24V DC
Operating principle	Retroreflective sensor
Evaluation	digital
Size	38 x 27 x 15 mm (Dimensions)
Design	cuboid design
Characteristics	Integrated polarized filter, Reflector R 46 in delivery
Emitted light	Red, 630 ... 670 nm, clocked
Operating distance	400 ... 4000 mm (R 46), 900 ... 9000 mm (R 84), 1000 ... 10000 mm (R 100x100)
Service voltage	10 ... 30 V DC
No-load current	< 25 mA
Sensitivity adjustment	potentiometer
Referring reflector	100 x 100 mm
Switching output	pnp, 100 mA, NO
Shock-/vibration load	10 ... 55 Hz / 1,0 mm / 30 g
Switching frequency	500 Hz
Ambient temperature, operation	-25 ... +60 °C
Ambient light immunity	5 kLx
Protection class	IP 67
Protection degree	III, operation on protective low voltage
Casing material	plastics
Material	plastic (Window)
Connection	Connector, M8, 3-poled