

SP 400 S

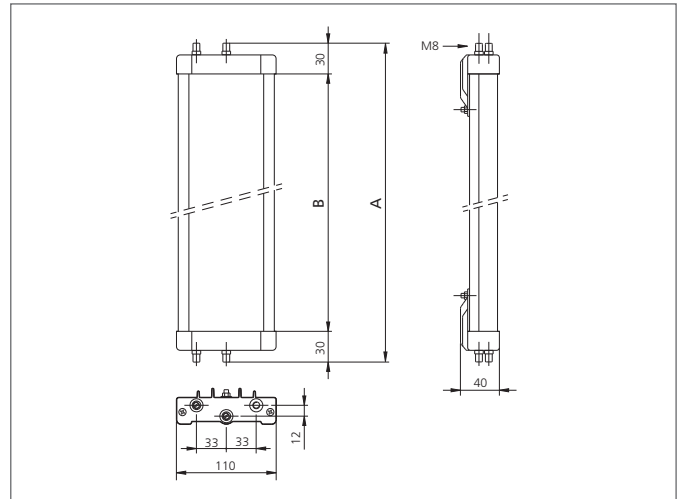
Deflection mirror

- Not more than one safety light curtain / -grid necessary
- For the realization of circumferential protections up to 4 sides
- Angular orientation adjustable using two supplied brackets
- Special models equipped with a protective anti-fragmentation film on the mirrors available on request
- Optical power reduction factor 15% for each mirror
- Extruded aluminium section bar



Safety instructions

All the installation, connection and safety regulations, as per our technical information, have to be strictly adhered to.
The set-up of the products have to be made by skilled staff, only.
Repair exclusively made by di-soric.



TECHNICAL INFORMATION (typ.)

| | |
|--------------------------------|---|
| Total height (A) | 600 mm |
| Operating principle | Deflection mirror |
| Ambient temperature, operation | -10 ... +55 °C (mirrors) |
| Suitable for | 460 mm protective field height |
| Casing material | aluminium extrusion poles, epoxy powder coated, plastics |
| Version | freely adjustable |
| Scope of delivery | assembly instruction, 2 adjustable fixing brackets, Fixing material |
| Optical power reduction factor | 15 % |
| Deflection mirror height (B) | 540 mm |