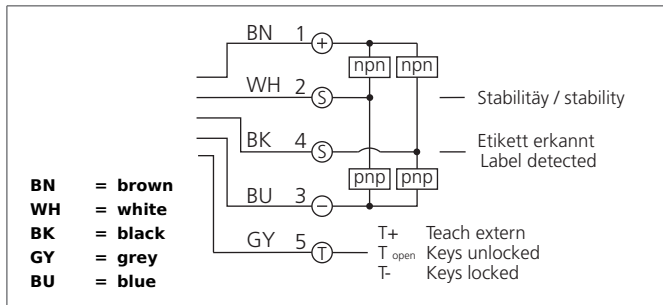


# UGUTI 6/70 G6-B5

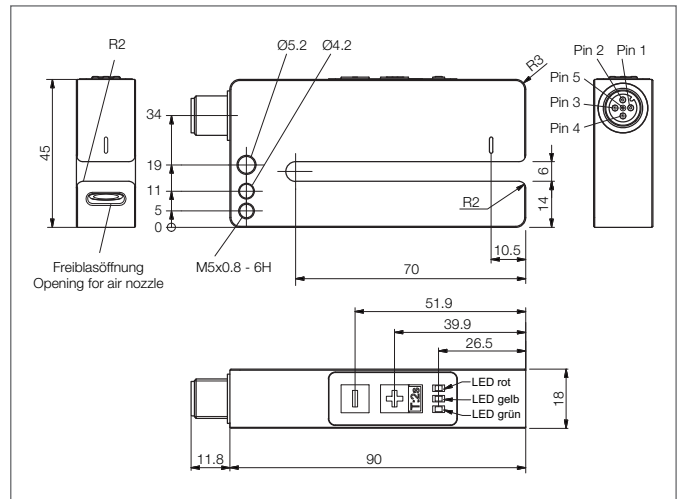
## Ultrasonic Label Sensor

- Detection of metallised-, transparent- and paper labels
- Intuitive teach-in via membrane keyboard, fine-tuning
- High reproducibility
- Short response time
- Robust metal casing
- Large fork opening and fork depth
- Remote teach with key-lock function
- IO-link parameter with IO-link ON-/OFF-Delay
- Multi output (Pin2) stability (factory setting) / label detected
- Parallel mode (Pin2) / label detected and IO-link (Pin 4)



### Safety instructions

The Instruments are not to be used for safety applications, in particular applications in which safety of persons depends on proper operation of the instruments. These instruments shall exclusively be used by qualified personnel.



| TECHNICAL INFORMATION (typ.)   | +20°C, 24 V DC   |
|--------------------------------|--|
| Operating principle            | Ultrasonic through beam sensor   |
| Fork opening                   | 6 mm   |
| Branch length inside           | 70 mm  |
| Characteristics                | plug connector at the back   |
| Service voltage                | 18 ... 30 V DC   |
| No-load current                | < 40 mA  |
| Sensitivity adjustment         | Remote teach, keys   |
| Switching output               | Push pull (2x), NO/NC, switchable  |
| Max. power operating           | 100 mA, (per output)   |
| Label interspace               | > 2 mm   |
| Label thickness                | < 5,9 mm   |
| Interface                      | IO-Link, V1.1, COM2 (38,4kBd), Smart Sensor Profile                                |
| Display                        | LED: red (insufficient stability), LED yellow (Display output), LED green (status) |
| Response time                  | 0,25 ms  |
| Reproducibility                | ± 0,2 mm   |
| Readiness delay                | < 180 ms   |
| Ambient temperature, operation | 0 ... +60 °C   |
| Insulation voltage endurance   | 500 V  |
| Protection class               | IP 67  |
| Protection degree              | III, operation on protective low voltage   |
| Casing material                | Aluminium black anodized   |
| Connection                     | M12, 5-poled   |