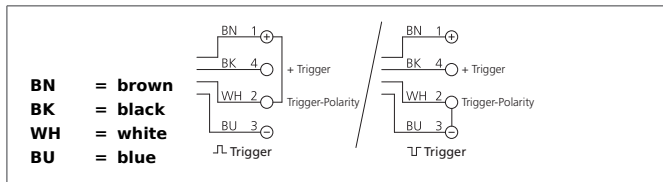


BEK-A100-G5T-K-BS

Barlight

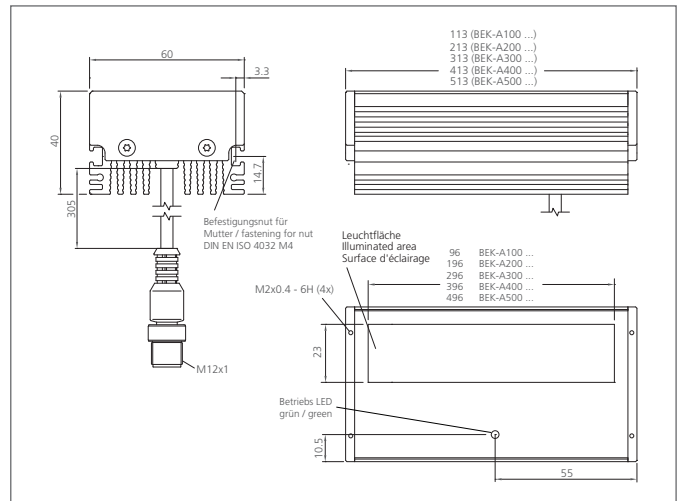
- Extremely high light intensity thanks to most modern high power LEDs
- Integrated single-line power control with high efficiency
- Intelligent temperature control with switch-off automatic
- Homogeneous light field thanks to special LED-optics
- High protection class
- Separate entries for trigger signal and trigger polarity
- Robust metal casing
- Universal mounting possibility
- Scratch-proof protection window
- Mounts und Optics available as an option



Safety instructions

The Instruments are not to be used for safety applications, in particular applications in which safety of persons depends on proper operation of the instruments.

These instruments shall exclusively be used by qualified personnel.



| TECHNICAL INFORMATION (typ.) | +20°C, 24V DC |
|--------------------------------|---|
| Design | Barlight |
| Illuminated area | 23 x 96 mm |
| Characteristics | Internal control of power output |
| Light colour | White, 6000 K |
| Emission angle FWHM | 30° |
| Illumination intensity | 195 klx (0.1 m), 86.0 klx (0.2 m), 18.0 klx (0.5 m) |
| Service voltage | 18 ... 30 V DC (Supply Class 2) |
| No-load current | 635 mA, (24 V DC) |
| Trigger input low level | 0 ... < 2,8 V |
| Trigger input high level | > 3,3 ... 30 V |
| Power | 14,5 W (24 V DC) |
| Shock-/vibration load | 10 ... 55 Hz / 1,0 mm / 30 g |
| Inverse polarity protection | Yes |
| Display | LED: green - Operation |
| Ambient temperature, operation | 0 ... +40 °C |
| Protection class | IP 67 |
| Protection degree | III, operation on protective low voltage |
| Risk group (DIN EN 62471) | Risk group 2 |
| Casing material | Aluminium black anodized |
| Material | PMMA, hardcoated (protective glass) |
| Connection | Cable, 0,3 m, + connector M12, 4-poled |
| Weight | 470 g |
| Connecting cable | VK ... |