

# OGU 121/125 VP3K-TSSL

## Fork Light Barrier

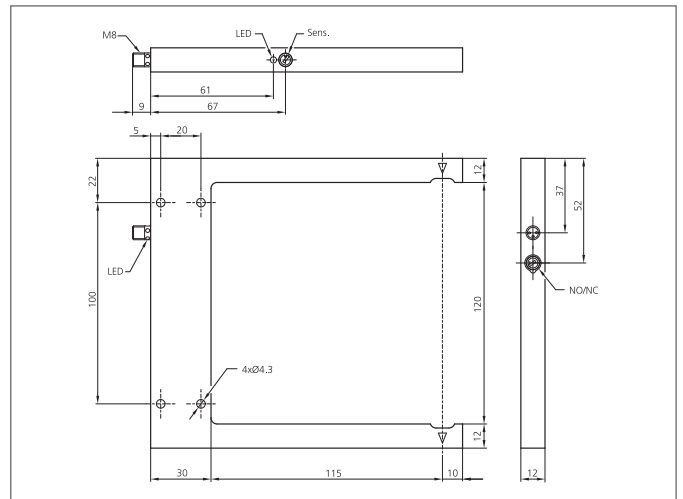
- Light/dark switching
- Extremely high resolution
- Metal casing
- Integrated electronic module
- Sensitivity adjustable
- High operating frequency
- Bright ring LED
- High protection class
- 5-year warranty



### Safety instructions

The Instruments are not to be used for safety applications, in particular applications in which safety of persons depends on proper operation of the instruments.

These instruments shall exclusively be used by qualified personnel.



TECHNICAL INFORMATION (typ.)	+20°C, 24V DC
Operating principle	Optical
Evaluation	digital
Size	144 x 155 x 12 mm (Dimensions)
Design	fork
Fork opening	120 mm
Branch length inside	125 mm
Emitted light	Red, 660 nm, clocked
Service voltage	10 ... 35 V DC (Supply Class 2)
No-load current	< 45 mA
Resolution	Ø 0,8 mm
Sensitivity adjustment	potentiometer in front
Switching output	pnp, 200 mA, NO/NC, switchable
Switching hysteresis	< 0,2 mm
Shock-/vibration load	10 ... 55 Hz / 1,0 mm / 30 g
Voltage drop	< 2,8 V
Switching frequency	2000 Hz
Reproducibility	0,06 mm
Ambient temperature, operation	-10 ... +60 °C
Ambient light immunity	40 kLx
Insulation voltage endurance	500 V
Protection class	IP 67
Protection degree	III, operation on protective low voltage
Casing material	Aluminium black anodized

# OGU 121/125 VP3K-TSSL

## Fork Light Barrier



<b>TECHNICAL INFORMATION (typ.)</b>	<b>+20°C, 24V DC</b>
Connection	Connector, M8, 3-poled
Connecting cable	TK ...