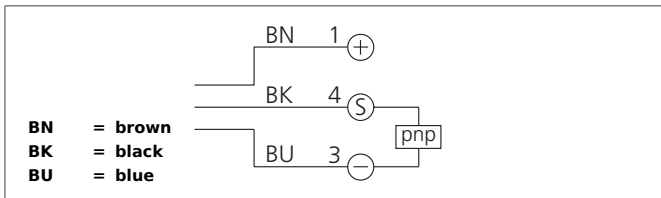


OGU 030/30 P2LK-IBS

Fork Light Barrier

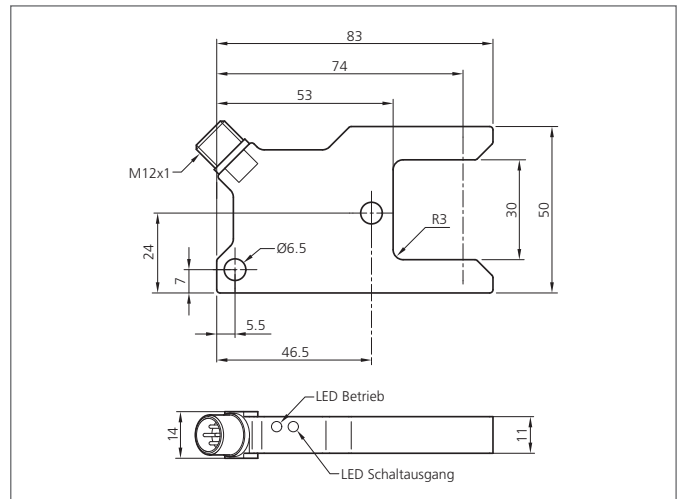
- Very high contamination and functional reserve
- Durable steel casing galvanized
- All-purpose mounting
- Integrated electronic module
- High protection class
- Metal plug



Safety instructions

The Instruments are not to be used for safety applications, in particular applications in which safety of persons depends on proper operation of the instruments.

These instruments shall exclusively be used by qualified personnel.



TECHNICAL INFORMATION (typ.)	+20°C, 24V DC
Operating principle	Optical
Evaluation	digital
Design	fork
Fork opening	30 mm
Branch length inside	30 mm
Emitted light	Infrared, 880 nm, clocked
Service voltage	10 ... 35 V DC (Supply Class 2)
No-load current	< 30 mA
Resolution	Ø 2,5 mm
Sensitivity adjustment	no setting elements
Switching output	pnp, 200 mA, NO
Switching hysteresis	< 0,1 mm
Shock-/vibration load	10 ... 55 Hz / 1,0 mm / 30 g
Voltage drop	< 2,8 V
Switching frequency	150 Hz
Reproducibility	0,05 mm
Ambient temperature, operation	-10 ... +60 °C
Ambient light immunity	70 kLx
Insulation voltage endurance	500 V
Protection class	IP 67
Protection degree	III, operation on protective low voltage
Casing material	Steel galvanized
Connection	Connector, M12, 4-poled

OGU 030/30 P2LK-IBS
Fork Light Barrier



TECHNICAL INFORMATION (typ.)

+20°C, 24V DC

Connecting cable

TK ...