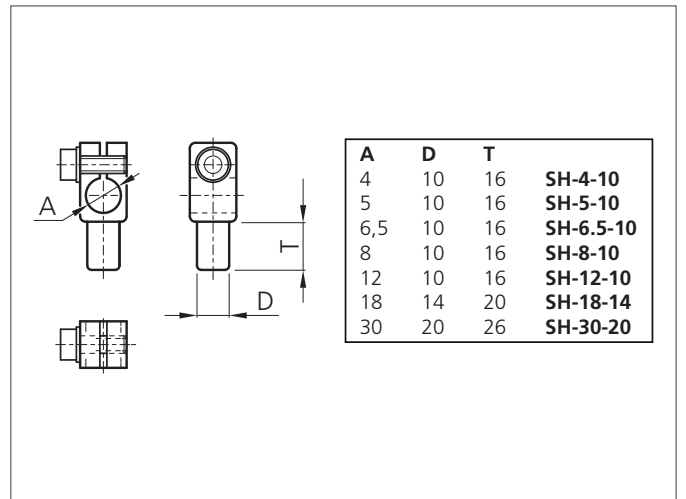
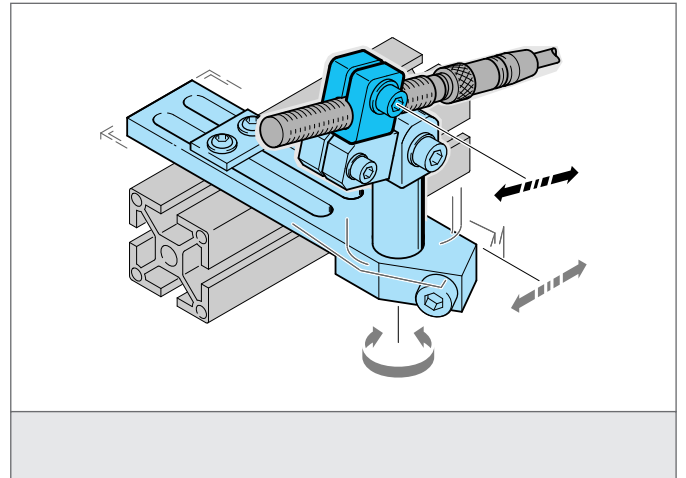


# SH-12-10

## Sensor Holder

- All-purpose mounting
- Smooth adjustment
- Robust design
- Highly flexible versatile mounting system



### TECHNICAL INFORMATION (typ.)

Size	12 mm (Diameter A) 10 mm (Spacer measure D)
Suitable for	Clamping pin 10 mm
Casing material	polyamide
Product series	System holder HS