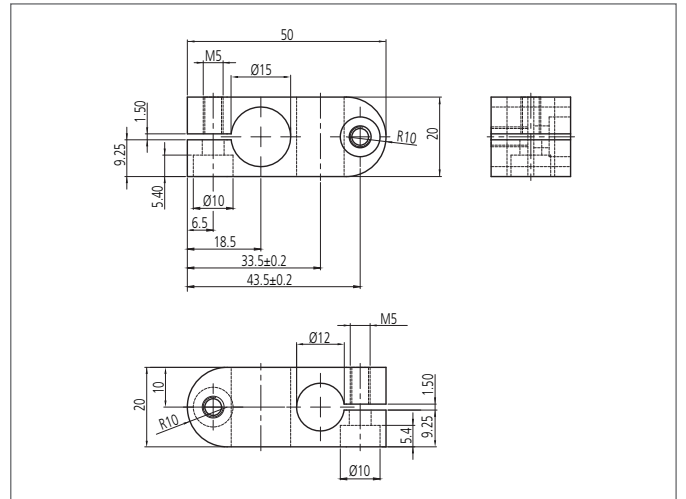


HS-K-15-12-A Cross connector

- Highly flexible versatile mounting system
- All-purpose mounting
- Smooth adjustment
- Robust design



TECHNICAL INFORMATION (typ.)

Dimension

+20°C, 24V DC

Ø 15 / Ø 12 mm (Diameter assembly tap/drilling)

Casing material

Aluminium

Product series

System holder HS