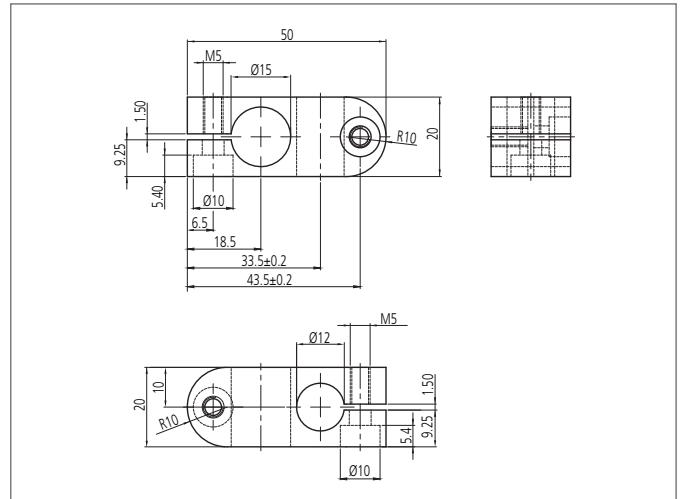


HS-K-15-12-A

Cross connector

- Highly flexible versatile mounting system
- All-purpose mounting
- Smooth adjustment
- Robust design



TECHNICAL INFORMATION (typ.)

Dimension	+20°C, 24V DC
Casing material	Aluminium
Product series	System holder HS