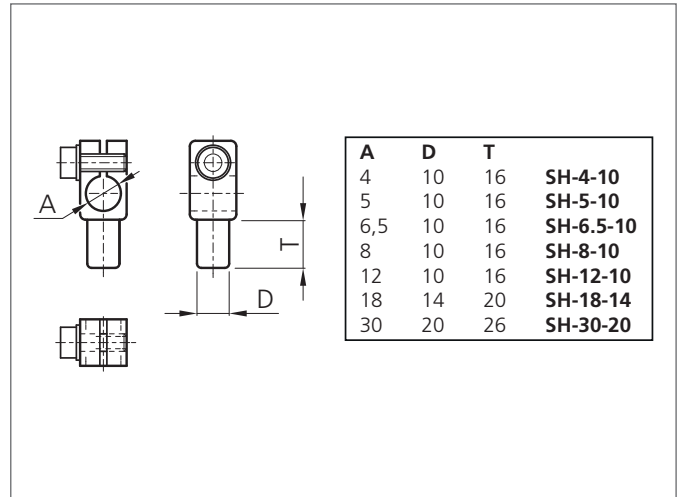
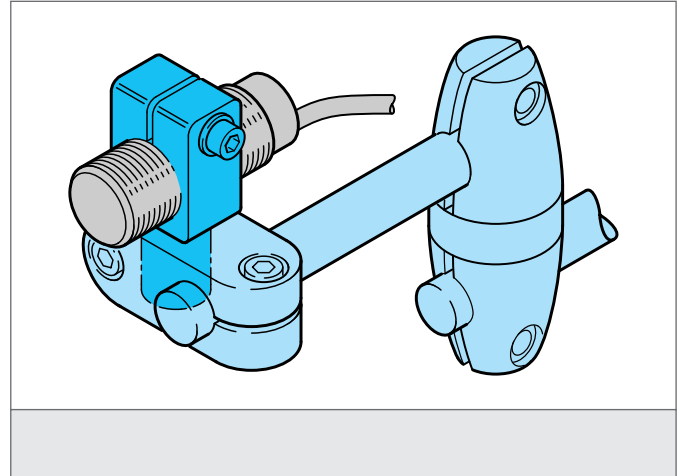


SH-18-14 Sensor Holder Ø 18mm

- Highly flexible versatile mounting system
- All-purpose mounting
- Smooth adjustment
- Robust design



TECHNICAL INFORMATION (typ.)		+20°C, 24V DC
Size	18 mm (Diameter A) 14 mm (Spacer measure D)	
Suitable for	Clamping pin 14 mm	
Casing material	polyamide	
Product series	System holder HS	