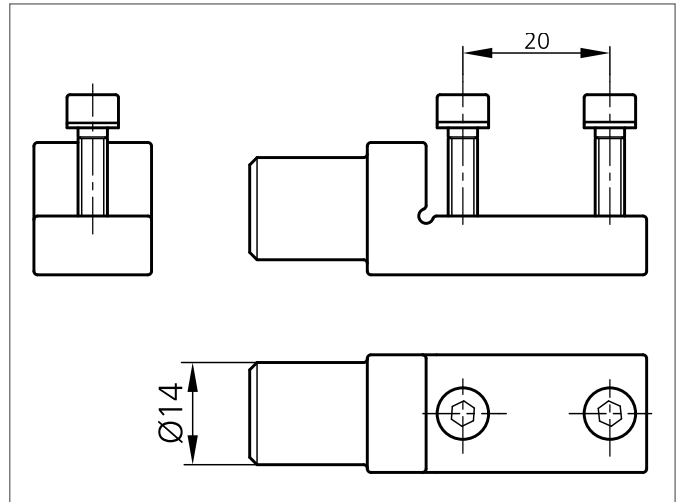
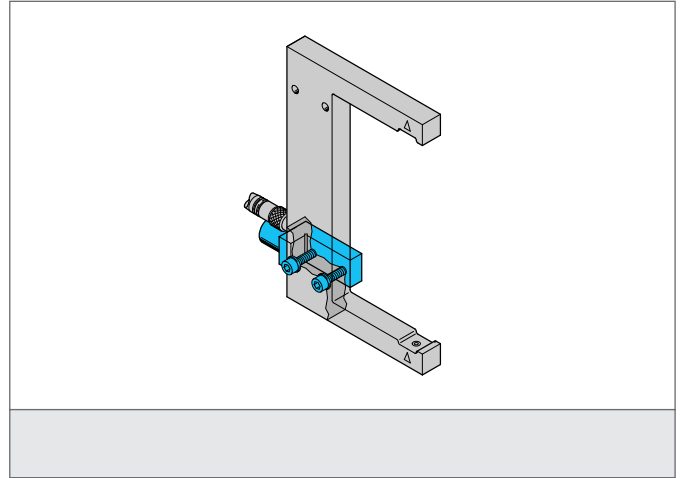


## SH-UGU-20-14

### Sensor Holder for Fork light barriers

- Highly flexible versatile mounting system
- All-purpose mounting
- Smooth adjustment
- Robust design



#### TECHNICAL INFORMATION (typ.)

Size	+20°C, 24V DC
Suitable for	14 mm (Diameter A)
Casing material	Clamping pin 20 mm
Product series	plastics
	System holder HS