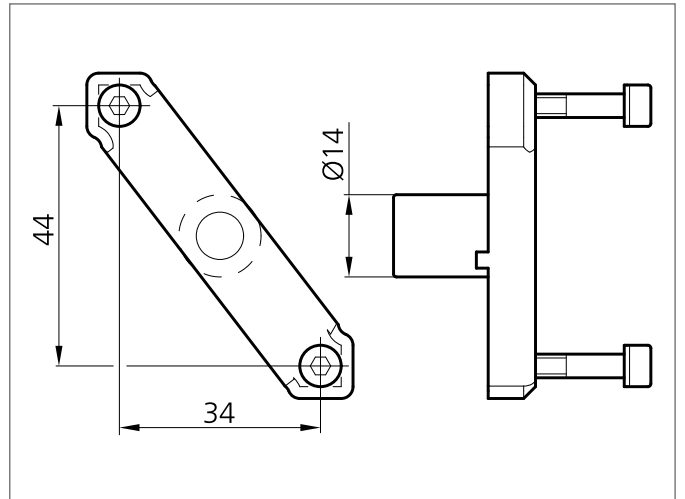
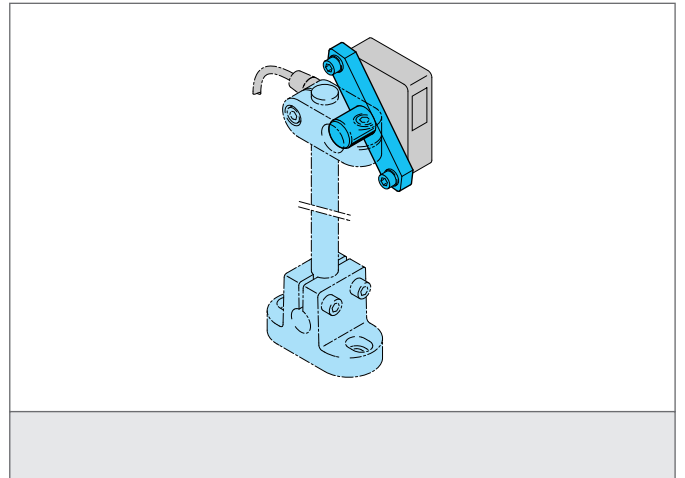


SH-S50-34-44-14

Mounting bracket for photoelectric sensors size 50

- Highly flexible versatile mounting system
- All-purpose mounting
- Smooth adjustment
- Robust design



TECHNICAL INFORMATION (typ.)	
Size	+20°C, 24V DC
Suitable for	14 mm (Diameter A)
Casing material	Clamping pin 14 mm
Product series	plastics
	System holder HS

