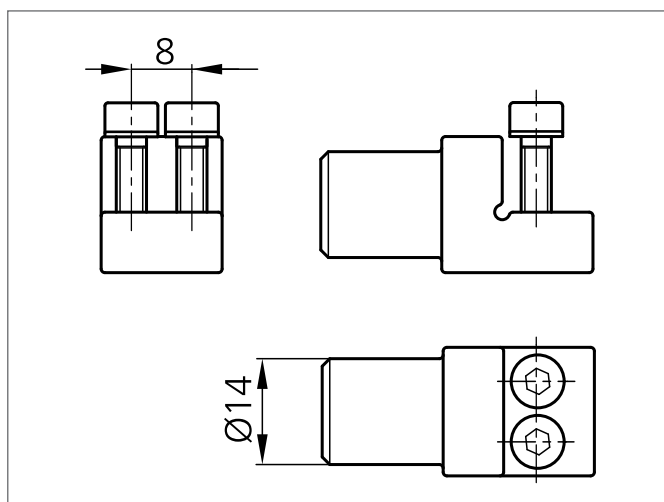
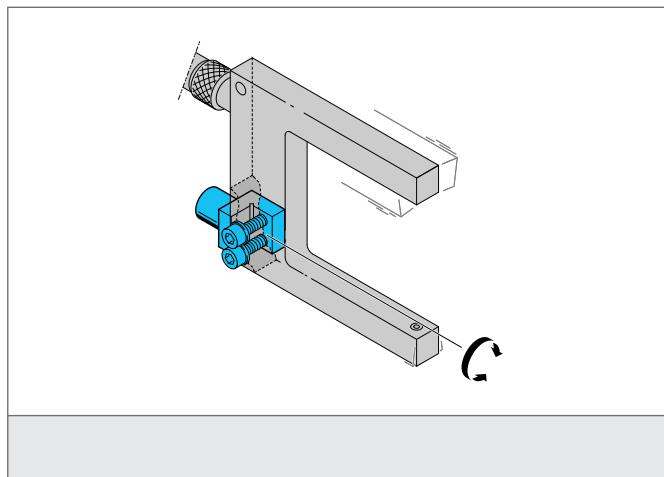


## SH-UGU-08-14

### Sensor Holder for Fork light barriers

- Highly flexible versatile mounting system
- All-purpose mounting
- Smooth adjustment
- Robust design



<b>TECHNICAL INFORMATION (typ.)</b>		<b>+20°C, 24V DC</b>
Size		14 mm (Diameter A)
Suitable for		Clamping pin 14 mm
Casing material		plastics
Product series		System holder HS