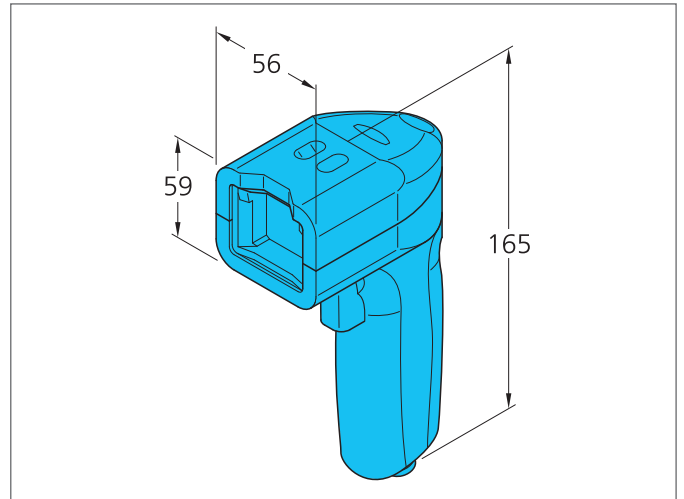
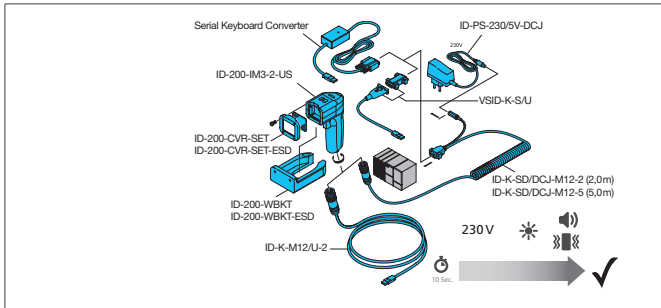


ID-200-IM3-2-US

ID-Handheld

- Light aluminium resists toughest environment conditions
- Dual zone optic: fast and reliable decoding despite fluctuating working distances
- Able to read every kind of 1D and 2D codes – coloured and low-contrast as well as damaged ones
- ESD-safe if used with the ESD-safe-accessories
- Ergonomically perfect centre of gravity for fatigue-free working
- Massive, long-life trigger-button
- Read-feedback by means of programmable LED, audible sound and vibration
- Industrial-suited M12-connector
- Data processing and parsing with JavaScript



Safety instructions

The Instruments are not to be used for safety applications, in particular applications in which safety of persons depends on proper operation of the instruments. These instruments shall exclusively be used by qualified personnel.

OPEN SOURCE SOFTWARE NOTICE

Please note we use Open Source Software along with this product and/or this product firmware. For more Details please visit: www.di-soric.com/licenses

TECHNICAL INFORMATION (typ.)		+20 °C, 5V DC
尺寸		165 x 59 x 56 mm (尺寸)
特征		结实耐用的设计
工作电压		5 V DC
内部功耗		250 mA
分辨率		1280 x 960 像素
接口		RS 232 (when operated with ID-K-SD/DCJ-M12-X), USB (when operated with ID-K-M12/U-2)
环境温度		-20 +55 ° C
防护等级		IP 54
连接		Connector, M12, 12-poled
标识 - 1D条码		Code 11, Code 32, Code 39, Code 93, Code 128, Interleaved 2 of 5, GS1 DataBar (RSS), BC 412, UPC / EAN, 条形码, Jata 3 of 5, Hong Kong 2 of 5, Matrix 2 of 5, MSI Plessey, NEC 2 of 5, Pharmacode, Plessey, Straight 2 of 5, Telepen, Trioptic, UPC / EAN / JAN
标识 - 2D条码		Data Matrix (ECC 0-200), QR Code, Micro QR Code, Aztec Code, Code 49, Codablock F, Han Xin, Maxi Code
Symbologies - Stacked codes		PDF 417, Micro PDF 417, GS1 Databar (Composite & Stacked), GS1 Composite (CC-A/CC-B/CC-C), Codablock
重量		578 g
Position scanner to code		倾斜180 °, 节距 ± 65 °, 斜 ± 60 °
图像传感器		CMOS