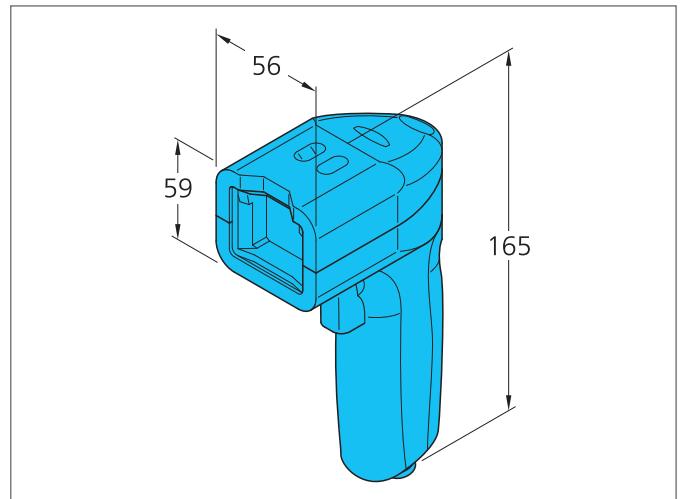
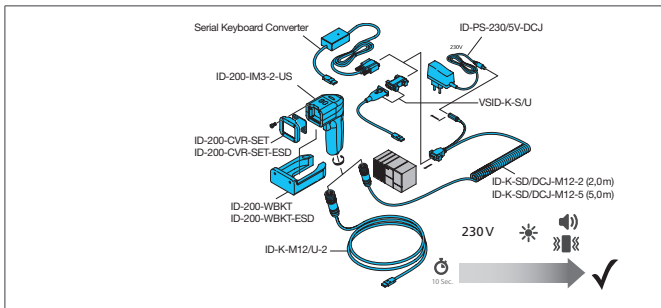


ID-200-IM3-2-US

ID-Handheld

- Light aluminium resists toughest environment conditions
- Dual zone optic: fast and reliable decoding despite fluctuating working distances
- Able to read every kind of 1D and 2D codes – coloured and low-contrast as well as damaged ones
- ESD-safe if used with the ESD-safe-accessories
- Ergonomically perfect centre of gravity for fatigue-free working
- Massive, long-life trigger-button
- Read-feedback by means of programmable LED, audible sound and vibration
- Industrial-suited M12-connector
- Data processing and parsing with JavaScript



Safety instructions

The Instruments are not to be used for safety applications, in particular applications in which safety of persons depends on proper operation of the instruments. These instruments shall exclusively be used by qualified personnel.

OPEN SOURCE SOFTWARE NOTICE

Please note we use Open Source Software along with this product and/or this product firmware.

For more details please visit www.di-soric.com/licenses

TECHNICAL INFORMATION (typ.)	
Size	+20°C, 5V DC 165 x 59 x 56 mm (Dimensions)
Characteristics	extremely robust design
Service voltage	5 V DC
No-load current	250 mA
Resolution	1280 x 960 pixel
Interface	RS 232 (when operated with ID-K-SD/DCJ-M12-X), USB (when operated with ID-K-M12/U-2)
Ambient temperature, operation	-20 ... +55 °C
Protection class	IP 54
Connection	Connector, M12, 12-poled
Symbologies - 1D-Codes	Code 11, Code 32, Code 39, Code 93, Code 128, Interleaved 2 of 5, GS1 DataBar (RSS), BC 412, UPC / EAN, Codabar, Jata 3 of 5, Hong Kong 2 of 5, Matrix 2 of 5, MSI Plessey, NEC 2 of 5, Pharmacode, Plessey, Straight 2 of 5, Telepen, Trioptic, UPC / EAN / JAN
Symbologies - 2D-Codes	Data Matrix (ECC 0-200), QR Code, Micro QR Code, Aztec Code, Code 49, Codablock F, Han Xin, Maxi Code
Symbologies - Stacked codes	PDF 417, Micro PDF 417, GS1 Databar (Composite & Stacked), GS1 Composite (CC-A/CC-B/CC-C), Codablock F
Weight	578 g
Position scanner to code	Tilt 180°, Pitch ± 65°, Skew ± 60°
Image sensor	CMOS