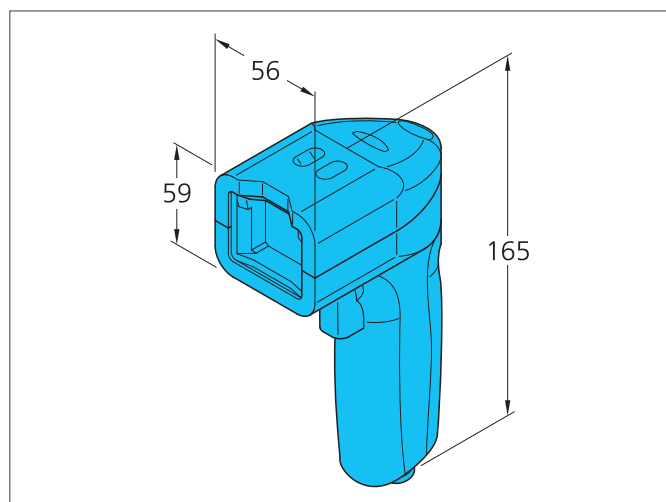
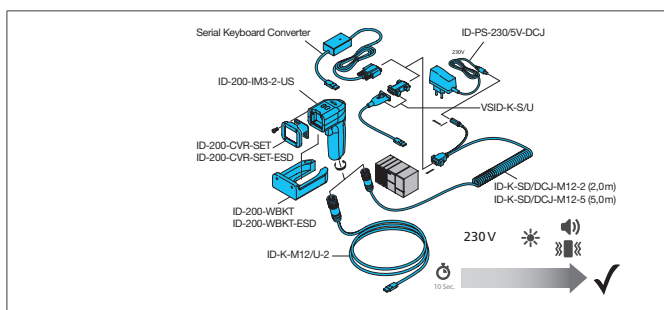


## ID-200-IM3-2-US

### Lector de códigos de barras manual

- Light aluminium resists toughest environment conditions
- Dual zone optic: fast and reliable decoding despite fluctuating working distances
- Able to read every kind of 1D and 2D codes – coloured and low-contrast as well as damaged ones
- ESD-safe if used with the ESD-safe-accessories
- Ergonomically perfect centre of gravity for fatigue-free working
- Massive, long-life trigger-button
- Read-feedback by means of programmable LED, audible sound and vibration
- Industrial-suited M12-connector
- Data processing and parsing with JavaScript



#### Safety instructions

The Instruments are not to be used for safety applications, in particular applications in which safety of persons depends on proper operation of the instruments.  
These instruments shall exclusively be used by qualified personnel.

#### OPEN SOURCE SOFTWARE NOTICE

Please note we use Open Source Software along with this product and/or this product firmware.

For more details please visit [www.di-soric.com/licenses](http://www.di-soric.com/licenses)

TECHNICAL INFORMATION (typ.)	
Tamaño	+20°C, 5V DC 165 x 59 x 56 mm (dimensiones de la carcasa)
Características	Diseño extremadamente robusto
Tensión de alimentación	5 V DC
Corriente en vacío	250 mA
Resolución	1280 x 960 pixel
Interface	RS 232 (cuando opera con ID-K-SD/DCJ-M12-X), USB (cuando opera con ID-K-M12/U-2)
Temperatura ambiente, operación	-20 ... +55 °C
Técnica de protección	IP 54
Conexión	Conector, M12, 12-polos
Simbología - Códigos 1D (código de barras)	Código 11, Código 32, Código 39, Código 93, Código 128, Interleaved 2 of 5, GS1 DataBar (RSS), BC 412, UPC / EAN, Código de barras, Jata 3 of 5, Hong Kong 2 of 5, Matrix 2 of 5, MSI Plessey, NEC 2 of 5, Pharmacode, Plessey, Straight 2 of 5, Telepen, Trioptic, UPC / EAN / JAN
Simbología - códigos 2D	Data Matrix (EDC 0-200), Código QR, Micro código QR, Código Aztec, Code 49, Codablock F, Han Xin, Maxi Code
Symbologies - Stacked codes	PDF 417, Micro PDF 417, GS1 Databar (Composite & Stacked), GS1 Composite (CC-A/CC-B/CC-C), Codablock
Peso	578 g
Position scanner to code	Inclinación 180°, Pitch ± 65°, Oblicuidad ±60°
Sensor de imagen	CMOS