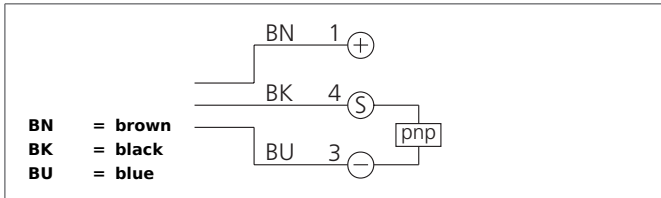


DCC 08 M 02 PSK-IBSL

Inductive Proximity Switch

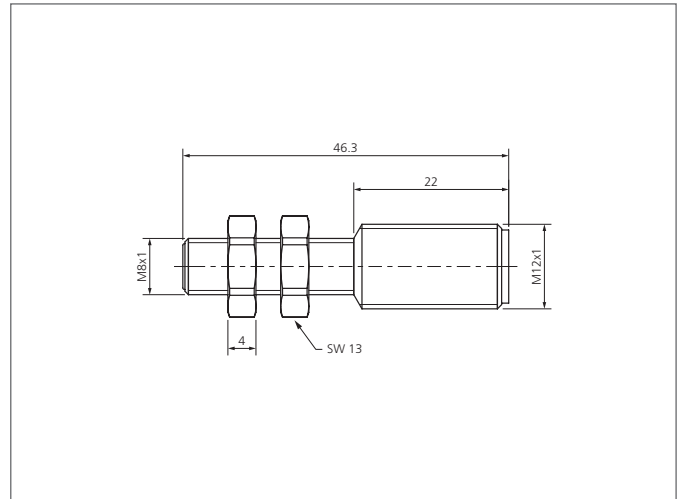
- Metal plug
- Integrated amplifier
- Short-circuit protection
- Starting pulse suppression
- LED



Safety instructions

The Instruments are not to be used for safety applications, in particular applications in which safety of persons depends on proper operation of the instruments.

These instruments shall exclusively be used by qualified personnel.



| TECHNICAL INFORMATION (typ.) | +20°C, 24V DC |
|--------------------------------|-----------------------------------------|
| Operating principle | Inductive |
| Evaluation | digital |
| Size | M8 x 1 (thread) |
| Design | screw |
| Mounting | flush |
| Characteristics | increased operating distance |
| Operating distance | 2 mm |
| Standardized measuring plate | 8 x 8 x 1 mm |
| Service voltage | 10 ... 30 V DC |
| No-load current | < 10 mA |
| Switching output | pnp, 200 mA, NO |
| Switching hysteresis | < 15 % |
| Shock-/vibration load | 10 ... 55 Hz / 1,0 mm / 30 g |
| Voltage drop | < 2,4 V |
| Switching frequency | 2000 Hz |
| Ambient temperature, operation | -25 ... +70 °C |
| Insulation voltage endurance | 500 V |
| Protection class | IP 67 |
| Casing material | stainless steel V2A (1.4301 / AISI 304) |
| Connection | Connector, M12 |