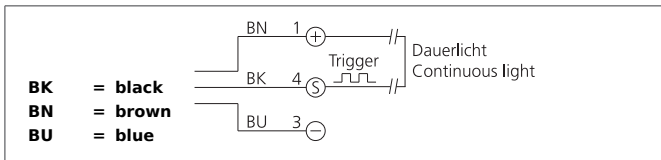
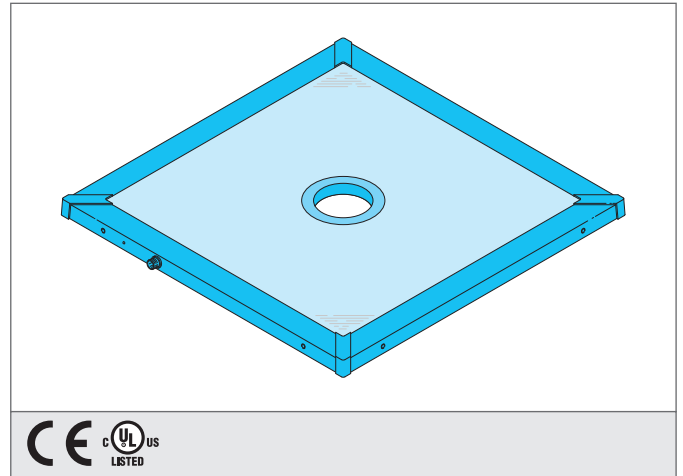


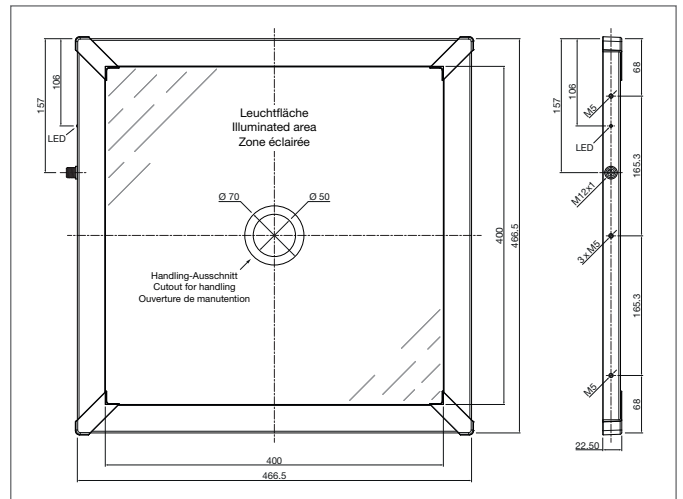
Backlight

- Extruded aluminium section bar
- Modular design for individual sizes
- Centrally located handling cutout
- Constant level of light intensity over the entire voltage range
- Homogenous luminous field
- External trigger input
- High efficiency



Safety instructions

The Instruments are not to be used for safety applications, in particular applications in which safety of persons depends on proper operation of the instruments.
 These instruments shall exclusively be used by qualified personnel.



TECHNICAL INFORMATION (typ.)		+20°C, 24V DC
Design		Backlight
Illuminated area		400 x 400 mm
Characteristics		Trigger input, robust design, individual sizes available, Cutout for handling, round, Ø 50 mm, centrally located
Light colour		White, 5700 K
Service voltage		24 V DC ± 5%, (Supply Class 2)
No-load current		1.300 mA, (24 V DC)
Trigger input low level		< 2,9 V
Trigger input high level		> 3,3 V
Power		32,0 W (24 V DC)
Inverse polarity protection		Yes
Display		LED: green - Operation
On-delay time (Trig.)		< 0,010 ms
Switch off delay (Trig.)		< 0,100 ms
Ambient temperature, operation		0 ... +40 °C
Protection class		IP 20
Protection degree		III, operation on protective low voltage
Risk group (DIN EN 62471)		Free group
Casing material		Aluminium black anodized
Material		PMMA (Protection optics)
Connection		Connector, M12, 3-poled
Weight		5500 g
Connecting cable		VK ...

BEK-FL400/400-R50-G5T-IBS

Backlight



TECHNICAL INFORMATION (typ.)	+20°C, 24V DC
Screw-in depth	max. 6,5 mm
Tightening torque	max. 4 Nm