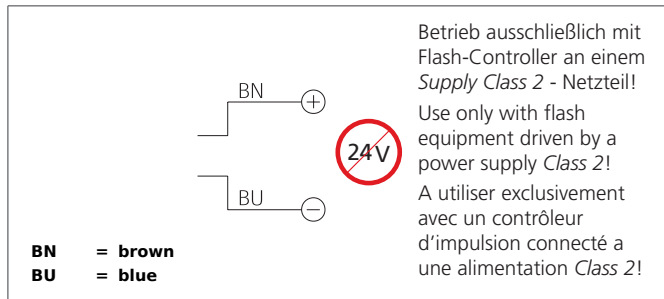


BE-A300-F5-K

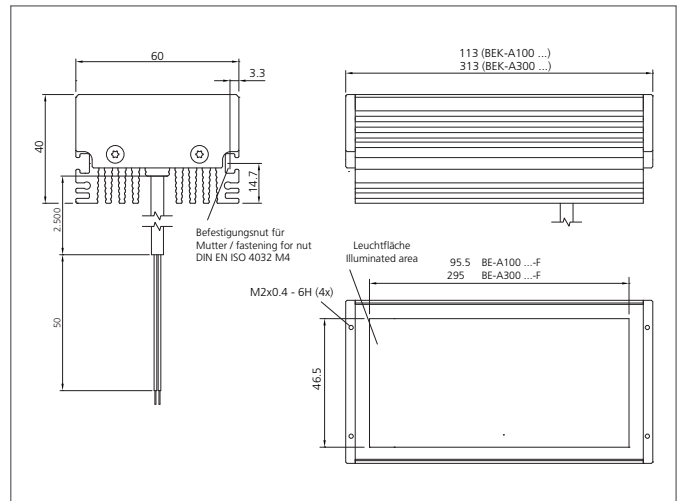
Barlight

- High excess current factor
- Flash mode operation for „frozen images“ and inspection of fast moving objects at extremely high light intensity
- Long-life thanks to intelligent thermal management
- Homogenous luminous field
- High protection class
- Robust metal casing
- Universal mounting possibility
- Scratch-proof protection window
- Mounts und Optics available as an option



Safety instructions

The Instruments are not to be used for safety applications, in particular applications in which safety of persons depends on proper operation of the instruments.
These instruments shall exclusively be used by qualified personnel.



TECHNICAL INFORMATION (typ.)	+20°C
Pulse power consumption (max)	750 W
Pulse overload factor	12
Pulse current capacity	24000 mA
Design	Barlight
Illuminated area	46 x 295 mm
Characteristics	Flashable by means of flash controller
Light colour	White, 6000 K
Emission angle FWHM	30°
Illumination intensity	195 klx (0.1 m / 100%) 465 klx (0.1 m / 400%) 820 klx (0.1 m / 800%) 122 klx (0.2 m / 100%) 284 klx (0.2 m / 400%) 495 klx (0.2 m / 800%) 46.0 klx (0.5 m / 100%) 117.0 klx (0.5 m / 400%) 188 klx (0.5 m / 800%) 15.5 klx (1.0 m / 100%) 37.0 klx (1.0 m / 400%) 63.0 klx (1.0 m / 800%)
Service voltage	No constant voltage!
Shock-/vibration load	10 ... 55 Hz / 1,0 mm / 30 g
Ambient temperature, operation	0 ... +40 °C
Protection class	IP 67
Risk group (DIN EN 62471)	Risk group 2
Casing material	Aluminium black anodized

BE-A300-F5-K

Barlight



TECHNICAL INFORMATION (typ.)

+20°C

Material

PUR (Cable)
PMMA, hardcoated (Protection optics)

Connection

Cable, 2,5 m, flying leads, Use only with flash equipment!

Weight

1100 g